

PORTRAIT[™] HONEYCOMB SHADES

Program Reference Guide
February 2022

Revision Log

Date	Revision
7/1/2021	<p><u>General Update:</u> Summer 2021 fabric collection available on July 1. Select LF fabrics to be discontinued after August 31. Added Terra rail color availability for Woven systems</p>
9/1/2021	<p><u>General Update:</u> Select Light Filtering fabrics in 9/16", Designer and Woven collections have been discontinued. Revised size limitation notes sequence Added extension cable availability note for AC Adaptor Added SmartFit without mounting plate drawing Updated fabric list Added color name matching note and reference chart</p>
9/15/2021	<p>Updated default rail color for F1529 Thunder & F1530 Nightfall</p>
12/1/2021	<p>Removed note/restriction for Vertical HC applications over 120" width; now available with Standard Lead Time shipping method. Added additional battery wand notes</p>
Effective 1/1/2022	<p><u>General Update:</u> Discontinued Corded, Corded Top Down and Corded Day & Night operating systems.</p> <p>Pg. 5: Updated SmartRise Cordless size considerations Pg. 5,6: Added size limitation note Pg. 9: Updated minimum mounting depths Pg. 10: Updated mounting hardware Pg. 39: Updated rail color availability: discontinued Cinnamon, Added Gray Cloud.</p>
1/7/2022	<p><u>General Update:</u> C4101 Steel Gray (RD) has been discontinued in all cell sizes. (See fabric list in the appendix.)</p> <p>Pg. 5,6: Updated SmartRise Cordless size considerations; added 2 on 1 shade notes. Pg. 11-37: Updated operating system drawings with new headrail and handle designs Pg. 35: Removed handle location option. Vertical & Vertical D&N Honeycomb shades no longer require handles Pg. 40: Removed C4101 Steel Gray from one tone list.</p>
1/17/2021	<p>Pg. 47: Updated pole & pole attachment design; compatible with new rail/handle design only</p>
2/22/2022	<p>Pg. 11,15~16: Reduced handle QTY standard for cordless shades Pg. 12: Updated max custom cord length for CCL/SmartRelease systems</p>

Table of Contents



	Page
Features & Benefits	4
General Specifications	
Size Considerations (Min/Max)	5 – 6
Standard Deductions	7
Compare Honeycomb Systems & Options (Option Reference Chart)	8
Mounting Depths	9
Mounting Hardware	10
Operating Systems	
Cordless Systems	11
Cord Loop Systems	12
Motorization	13 – 14
Lift Systems for Woven Fabrics	15
2 on 1 Shades / Side by Side	16
SmartFit™ Systems	17 – 18
SmartFit™ with Frame Systems	19 – 20
Frame, T-Post and Sill Plate Options & Measure Guidelines	21 – 33
SmartFit with Frame for Sloped Windows	34
Patio Door Vertical	35 – 37
Specialty Shapes	38
Available Colors	
Headrail Colors	39
One Tone Fabrics	40
Frame Colors for SmartFit™ with Frame Systems	41
Complete Fabric List and Color Coordination Chart	See Appendix
Additional Info, Options & Parts	
Fabric Stacking Heights	42 – 44
Additional Options	45
Cut-outs	46
Parts & Accessories	47
Fabric Expectations & Product Care	48 – 49

Features & Benefits

Features

Benefits

Sleeker, Stronger Headrail

- Light yet extremely sturdy with color coordination to the fabric
- Sleek and space-saving profile
- Resilient components for worry-free operation

Unique D-Cell Structure

- Creates perfect pleats for long-lasting beauty
- Remarkable strength even in hot, sunny or humid climates

Various Cell Sizes, Light Control Options and Colors

- 3/8" single, 1/2" double, 3/4" single, 3/4" double, 1 1/4" single, and 9/16" Single
- Offered in Sheer, Light Filtering and Room Darkening for light and privacy control
- Flame resistant fabrics and designer prints available
- Woven fabrics collections available
- One tone fabrics for the same color on both sides of the shade

Child Safe & Flame Resistant

- Cordless lift system provides a safer option
- Patented child and pet safe cord release device
- Flame resistant fabrics available for added peace of mind

Cordless: Easy to operate and eliminates cords for added beauty and safety.

Top-Down Bottom-Up: Adjust your lighting preference and control your privacy level by lowering shades from the top to let in natural light, or raising them from the bottom like a traditional shade.

SmartFit™: Tight fit on French doors and sloped windows to minimize light leakage and maximize privacy.

Superior Operating Systems

SmartFit™ with Frame: Framed – Tight fit on French doors or any window minimizing light leakage; now available in more frame styles and t-post options

Cord Loop: Features unique clutch system making raising and lowering easier. Available in standard cord loop, Top Down and Day/Night

SmartRelease™: Allows the shade to be released or lowered from an upward position with a gentle pull.

Patio Door Vertical: Perfect solution for sliding doors or large windows

Motorization: RF system; available in Bottom Up, Top Down and Day/Night

Size Considerations

Operating System	Width (Net)		Height		Max Area
	Min	Max	Min	Max	
SmartRise™ Cordless (all cell sizes)	11 ½" ①	96"	10"	120" ①	Max Width x Max Height
Cordless TDBU	15"	96"	10"	86"	Max Width x Max Height
Cordless Day & Night	15"	96"	10"	86"	Max Width x Max Height
Woven Cordless	15 ½"	86"	10"	86" ②	Max Width x Max Height
Woven Cordless TDBU	15 ½"	78"	10"	86" ②	Max Width x Max Height
SmartFit™ (3/8" Single only)	8 ½"	50"	6"	86"	Max Width x Max Height
SmartFit™	8 ½"	72"	6"	86"	Max Width x Max Height
SmartFit™ Dual Shade (3/8" Single only)	8 ½"	50"	12"	86"	Max Width x Max Height
SmartFit™ Dual Shade	8 ½"	72"	12"	86"	Max Width x Max Height
SmartFit™ for Sloped Windows	8 ½"	59"	6"	120"	48 SQFT
SmartFit™ with Frame ⑥	See SmartFit with Frame Size Limitations.				
SmartFit™ Dual Shade with Frame ⑥					
SmartFit™ for Sloped Windows with Frame ⑥	10 ½"	60 7/8"	7 ¾"	121 ¾"	50.3 SQFT
Cord Loop & SmartRelease™	15"	120" ③	10"	144" ③	80 SQFT
Cord Loop TD	24" ④	120" ③	10"	144" ③	80 SQFT
Cord Loop Day & Night	24" ④	120"	10"	144"	80 SQFT
Motorized Bottom Up	22"	120"	10"	144"	80 SQFT
Motorized Top Down	31" ⑤	120"	10"	144"	50 SQFT
Motorized Day & Night	31" ⑤	120"	10"	144"	50 SQFT
Patio Door Vertical	30"	146"	24"	120"	Max Width x Max Height
Patio Door Vertical Day & Night	30"	146"	24"	120"	Max Width x Max Height

**** All size limitations are in NET width.****

- ① **SmartRise Cordless:** Minimum width is **25"** when the height is greater than **86"**. (Applies to all cell sizes)
- ② **Woven Cordless:** Maximum height is **62"** when the width is **19"** or less.
- ③ **Windsong Fabrics only:** Maximum is **86" W x 86" H**.
- ④ **Cord Loop TD and D&N:** Minimum width is **30"** when the height is greater than **72"**.
- ⑤ **Motorized TD and D&N:** Minimum width is **35"** when the height is greater than **72"**.
- ⑥ All SmartFit™ with Frame measurements are maximum frame to frame. See dedicated [min/max](#).

2-on-1 Shades				2-on-1 Shades (Woven Fabrics)					
System		Min (whole unit)	Max (whole unit)	Max Area (per shade)	System		Min (whole unit)	Max (whole unit)	Max Area (per shade)
SmartRise Cordless	Width	23 ¼" *	120" (total width) (96" max on one shade)	80 SQFT per shade	Cordless (Breeze & Windsong)	Width	31 ¼"	120" (total width) (86" max on one shade)	51.36 SQFT per shade
	Height	10"	120" *			Height	10"	86"	
Cord Loop	Width	30 ¼"	120"	80 SQFT per shade	Cord Loop (Windsong)	Width	30 ¼"	120" (total width) (86" max on one shade)	51.36 SQFT per shade
	Height	10"	144"			Height	10"	86"	
Motorized Bottom Up	Width	44"	120"	80 SQFT per shade					
	Height	10"	144"						

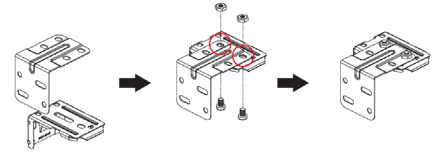
Notes:

- The 2 on 1 Shade limitations are for the entire unit but each shade must also follow the above size limitations and additional rules for a single shade.
- Standard ¼" gap spacing between each shade
- ***SmartRise Cordless: Minimum width (for whole 2-on-1 unit) is 50 ¼" when the height is greater than 86".**



Size Considerations - Side Mount

- **Side mount support brackets** are an option for IM windows. A supporting piece will be provided with the installation bracket.
- Available in the following lift systems



Operating System	Width (Net)		Height		Max Area
	Min	Max	Min	Max	
SmartRise™ Cordless (all cell sizes)	11 ½" ①	37"	10"	120" ①	Max Width x Max Height
Cordless TDBU	15"	37"		86"	Max Width x Max Height
Cordless Day & Night			15 ½" ②	37"	10"
Cordless (Woven)	15 ½" ②	37"	10"	86" ②	Max Width x Max Height
Cordless TDBU (Woven)	15"	37"	10"	144" ③	Max Width x Max Height
Cord Loop & SmartRelease™	24" ④	37"	10"	144" ③	Max Width x Max Height
Cord Loop TD	22"	37"	10"	144"	Max Width x Max Height
Cord Loop Day & Night					Max Width x Max Height
Motorized Bottom Up	31" ⑤	37"	10"	144"	Max Width x Max Height
Motorized TD					Max Width x Max Height
Motorized Day & Night	30"	37"	24"	120"	Max Width x Max Height
Patio Door Vertical					Max Width x Max Height
Patio Door Vertical Day & Night					

** All size limitations are in net width.

- ① **SmartRise Cordless:** Minimum width is **25"** when the height is greater than **86"**. (Applies to all cell sizes)
- ② **Woven Cordless:** Maximum height is **62"** when the width is **19" or less**
- ③ **Windsong Fabrics only:** The max is **86" W x 86" H**.
- ④ **Cord Loop TD and D&N:** Minimum width is **30"** when the height is greater than **72"**.
- ⑤ **Motorized TD and D&N:** Minimum width is **35"** when the height is greater than **72"**.

Standard Deductions

Product	Mount Type	Shade Width(X)		Shade Height(Y)		Alum Light guard length
		Order Width	Tolerance	Order Height	Tolerance	
Cordless	OB	X=Order Width	±1/8"	Y=Order Height	+1/2" ~ +3"	N/A
Cordless TDBU	IB	X=Order Width - 3/8"		Y=Order Height		Order Height - 1/8"
Cordless Day & Night						
Cordless & Cordless TDBU (Woven)						
SmartRelease™	OB	X=Order Width	±1/8"	Y=Order Height	+3/8" ~ +1 1/4"	N/A
Cord Loop	IB	X=Order Width - 3/8"		Y=Order Height		Order Height - 1/8"
Cord Loop TD						
Cord Loop Day & Night						
Motorized Bottom Up						
Motorized Top Down						
Motorized Day & Night						
SmartFit™	IB	X=Order Width - 1/4" (for IB w/o alum light guard)	±1/8"	Y=Order Height	Cords can be adjusted a bit to better fit your window in height	Order Height
SmartFit™ for Sloped Windows		X=Order Width - 3/8" (IB w/ alum light guard)				
SmartFit™ Dual Shade	IB	X=Order Width - 3/16" (for IB w/o alum light guard)	±1/8"	Y=Order Height	Cords can be adjusted a bit to better fit your window in height	Order Height
		X=Order Width - 3/8" (IB w/ alum light guard)				
Vertical	OB	X=Order Width	± 1/8"	Y=Order Height - 1/2"	± 1/8"	N/A
Vertical Day & Night	IB	X=Order Width - 3/16"		Y=Order Height - 5/8"		N/A

Measurement:

- Width: Measure shade from left to right
- Height: When the shade is fully extended, measure from the top of the headrail to the bottom of bottom rail
- For Vertical applications:
 - Width: Measure from the left end cap to the right end cap, along the headrail
 - Height: Measure from the top of headrail to the bottom of vertical rail end cap

Other Products:

- SmartFit™ with Frame systems** (Max Frame to Frame Size)
Width: measure from outside left frame to outside right frame.
Height: measure from top of frame to bottom of frame.
- Vertical & Vertical Day & Night:**
OB Recommendation: add 4" to opening width and 2" to opening height
- Specialty Shapes:**
3/16" deduction on each side.
Tolerance: Shade width and height may vary -1/8" ~1/8".

Portrait™ Honeycomb Shades

Option Reference Chart

Lift Systems	Cell Sizes					
	3/8" Single	9/16" Single	1/2" Double	3/4" Single	3/4" Double	1 1/4" Single
SmartRise™ Cordless Cordless TDBU Cordless Day & Night	✓	✓	✓	✓	✓	✓
Cordless (Woven) Cordless TDBU (Woven)	× n/a	× n/a	× n/a	✓	× n/a	✓
SmartFit™ SmartFit™ Dual Shade	✓	✓	✓	✓	IB: ✓	IB: ✓
					OB: × n/a	OB: × n/a
SmartFit™ for Sloped Windows	✓	× n/a	× n/a	× n/a	× n/a	× n/a
SmartFit™ with Frame SmartFit™ Dual Shade with Frame	✓	× n/a	× n/a	× n/a	× n/a	× n/a
SmartFit™ with Frame for Sloped Windows	✓	× n/a	× n/a	× n/a	× n/a	× n/a
Cord Loop SmartRelease™ Cord Loop TD Cord Loop Day & Night	✓	✓	✓	✓	✓	✓
Motorized	✓	✓	✓	✓	✓	✓
Specialty Shapes	✓	✓	✓	✓	× n/a	× n/a
Patio Door: Vertical Day & Night	× n/a	× n/a	× n/a	✓	× n/a	✓

*OB SmartFit / OB SmartFit Dual Shade is not available in large cells (3/4" Double & 1 1/4" Single)

Fabric Type	Cell Sizes					
	3/8" Single	9/16" Single	1/2" Double	3/4" Single	3/4" Double	1 1/4" Single
Sheer †	✓	× n/a †	× n/a	✓	× n/a	✓
Light Filtering	✓	✓	✓	✓	✓	✓
Room Darkening	✓	✓	✓	✓	✓	✓
Light Filtering – One Tone	✓	× n/a	× n/a	✓	× n/a	× n/a
Room Darkening – One Tone	✓	× n/a	× n/a	× n/a	× n/a	× n/a
Designer Fabric	✓	× n/a	× n/a	✓	× n/a	✓
Flame Resistant	✓	× n/a	× n/a	✓	× n/a	× n/a
Woven: Breeze (Cordless & Cordless TDBU for Woven fabrics)	× n/a	× n/a	× n/a	✓	× n/a	✓
Woven: Windsong (Cordless & Cordless TDBU for Woven fabrics, SmartFit Dual Shade, SmartFit™, SmartRelease™, Cord Loop, Cord Loop TD)	× n/a	× n/a	× n/a	✓	× n/a	✓

† 9/16" is not available as a single sheer shade, only as a Day & Night application.

Day & Night Fabric Combinations ‡			Cell Sizes					
	Top Shade	Bottom Shade	3/8" Single	9/16" Single	1/2" Double §	3/4" Single	3/4" Double §	1 1/4" Single
Default	Sheer	Room Darkening	✓	✓	✓	✓	✓	✓
	Sheer	Light Filtering	✓	✓	✓	✓	✓	✓
Optional	Sheer	Designer Fabric	✓	× n/a	× n/a	✓	× n/a	✓
	Room Darkening	Sheer	✓	✓	✓	✓	✓	✓
	Light Filtering	Sheer	✓	✓	✓	✓	✓	✓
	Designer Fabric	Sheer	✓	× n/a	× n/a	✓	× n/a	✓

- ‡ This table applies to Cordless, Cord Loop & Motorized Day & Night applications.
- Vertical Day & Night: Sheer fabric on Right & non-sheer on Left is the default. The reverse is optional
- FR and Woven fabrics are not available for Day & Night applications.
- Top shade and bottom shades must be ordered in the same cell size.
- § Sheer fabrics are not available in double cell sizes. When selected, the nearest single size will be paired:
 - 1/2" Double non-sheer fabric pairs with a 3/4" Single Sheer fabric
 - 3/4" Double non-sheer fabric pairs with a 1 1/4" Single Sheer fabric.

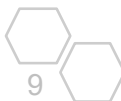


Portrait™ Honeycomb Shades

Mounting Depths

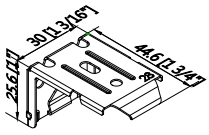
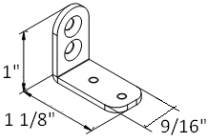
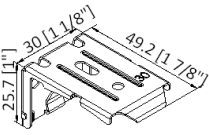
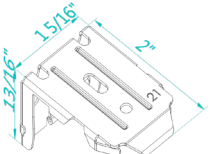
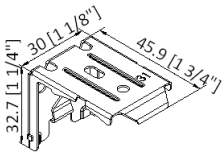
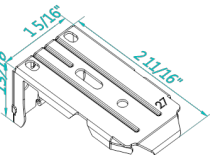
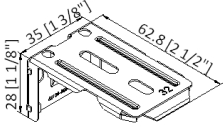
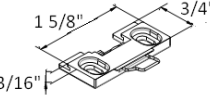
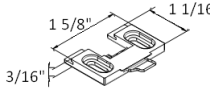
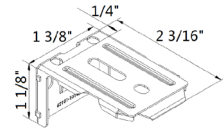
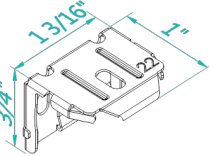
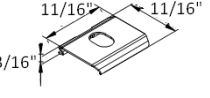
	Flush IB				Semi-IB			
	3/8" Single	9/16" Single	3/4" Single & 1/2" Double	3/4" Double & 1 1/4" Single	3/8" Single	9/16" Single	3/4" Single & 1/2" Double	3/4" Double & 1 1/4" Single
SmartRise Cordless	1 13/16"	1 13/16"	1 15/16"	2 11/16"	1 1/4"	1 1/4"	1 1/4"	1 7/16"
SmartRise Cordless (with light guard)	1 13/16"	1 13/16"	1 15/16"	2 3/4"	N/A	N/A	N/A	N/A
Cordless TDBU, Cordless Day & Night	1 15/16"	1 15/16"	1 15/16"	2 11/16"	1 1/4"	1 1/4"	1 1/4"	1 7/16"
Cordless TDBU, Cordless Day & Night (with light guard)	1 15/16"	1 15/16"	1 15/16"	2 3/4"	N/A	N/A	N/A	N/A
Cord Loop, Cord Loop TD, Cord Loop Day & Night, SmartRelease™	2 5/16"	2 5/16"	2 5/16"	2 11/16"	1 1/4"	1 1/4"	1 1/4"	1 7/16"
Cord Loop, SmartRelease™ (with light guard)	2 1/4"	2 1/4"	2 1/4"	2 3/4"	N/A	N/A	N/A	N/A
Cord Loop TD, Cord Loop Day & Night (with light guard)	2 5/16"	2 5/16"	2 5/16"	2 3/4"	N/A	N/A	N/A	N/A
Woven Cordless, Woven Cordless TDBU	NA	NA	2 1/16" for 3/4" Single	2 11/16" for 1 1/4" Single	NA	NA	1 5/16" for 3/4" Single	1 1/2" for 1 1/4" Single
SmartFit™, SmartFit™ Dual Shade (with mounting plate)	1 1/4"	1 7/8"	1 7/8"	2 5/8"	NA	NA	NA	NA
SmartFit™, SmartFit™ Dual Shade (with light guard)	1 5/16"	1 7/8"	1 7/8"	2 11/16"	NA	NA	NA	NA
SmartFit™ for sloped windows	1 3/8"	NA	NA	NA	NA	NA	NA	NA
SmartFit™ for sloped windows (with light guard)	1 7/16"	NA	NA	NA	NA	NA	NA	NA
Specialty Shapes	1 3/4"	2 1/8"	2 5/8"	NA	NA	NA	NA	NA
Vertical, Vertical Day & Night (with Installation bracket)	NA	NA	3 1/16" for 3/4" Single	3 1/16" for 1 1/4" Single	NA	NA	1 1/4" for 3/4" Single	1 1/4" for 1 1/4" Single
Vertical, Vertical Day & Night (Without Installation Bracket)	NA	NA	3 1/16" for 3/4" Single	3 1/16" for 1 1/4" Single	NA	NA	1 9/16" for 3/4" Single	1 9/16" for 3/4" Single
Motorized Cordless, Motorized Day & Night, Motorized TD (battery wand not attached)	2 5/16"	2 5/16"	2 5/16"	2 11/16"	1 1/4"	1 1/4"	1 1/4"	1 7/16"
Motorized Cordless, Motorized Day & Night, Motorized TD (with battery wand)	3 9/16"	3 9/16"	3 9/16"	3 9/16"	2 1/2"	2 1/2"	2 1/2"	2 3/8"
Motorized Cordless, Motorized Day & Night, Motorized TD (with light guard)	2 1/4"	2 1/4"	2 1/4"	2 3/4"	NA	NA	NA	NA
Specialty Shapes	1 3/4"	2 1/8"	2 5/8"	NA	NA	NA	NA	NA

*The min mounting depth may vary slightly for the systems marked "new", depending on the installation bracket provided. (See Mounting Hardware for new brackets.) The switch from the current bracket to the new one is a running change. **For the same order, only the same style of brackets will be used.**



Portrait™ Honeycomb Shades

Mounting Hardware

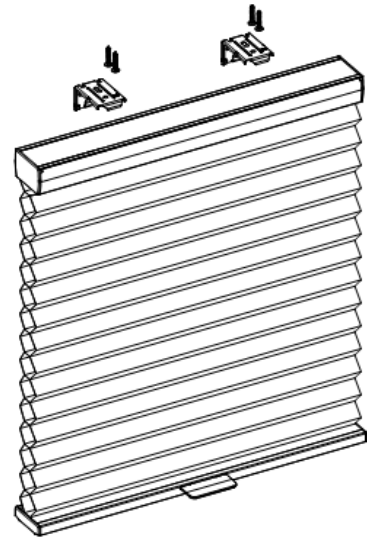
Lift System	Cell Sizes	Bracket	Lift System	Cell Sizes	Bracket
SmartRise Cordless	9/16" S 3/8" S		SmartFit, SmartFit Dual Shade	3/8" S 9/16" S 3/4" S 1/2" D 3/4" D 1 1/4" S	
SmartRise Cordless	3/4" S 1/2" D		Cordless & Cordless TDBU for Woven Fabrics	3/4" S	
Cordless TDBU, Cordless Day & Night	3/8" S 9/16" S 3/4" S 1/2" D			1 1/4" S	
SmartRise Cordless, Cordless TDBU, Cordless Day & Night, SmartRelease, Cord Loop, Cord Loop TD, Cord Loop Day & Night, Motorized, Motorized TD, Motorized D&N	3/4" D 1 1/4" S		Specialty Shapes	3/8" S	
Vertical Patio Door, Vertical Day & Night (Installation Bracket is Optional for IB)	3/4" S 1 1/4" S			9/16" S	
SmartRelease, Cord Loop, Cord Loop TD, Cord Loop Day & Night, Motorized, Motorized TD, Motorized D&N	3/8" S 9/16" S 3/4" S 1/2" D				1/2" D 3/4" S
SmartFit For Sloped Windows (Top Headrail)	3/8" S		SmartFit for Sloped Windows (Bottom Rail)	3/8"	

Lift Systems - Cordless

SmartRise™ Cordless (Bottom Up)



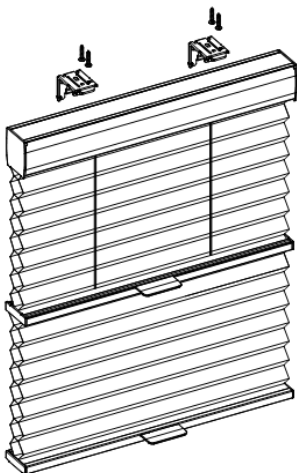
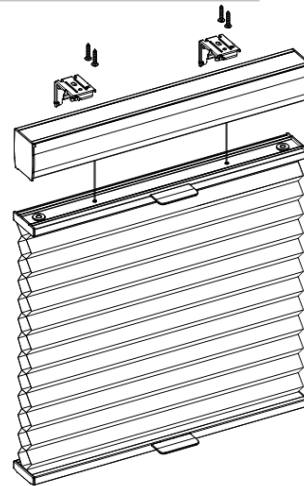
- SmartRise™ Cordless system for precise, smooth and reliable operation . Simply lower and stop at any position to lock your shade in place.
- The perfect solution for homes with children and pets.
- Easy to operate, and eliminates cords for a streamlined appearance.



Cordless TDBU (Top Down/Bottom Up)



- Adjusts from the top or from the bottom securely.
- No dangling cords for a safer solution.
- Control light and privacy with ease.



Cordless Day & Night



- Control the amount of light or privacy level by switching between two different fabrics.
- Sheer fabric can be on top (recommended), or bottom.

When sheer fabric ordered as the bottom, certain components in the mid rail and bottom rail may become visible through the sheer fabric when the shade is in a lowered position.

- The color of the cord coordinates with the sheer fabric.
- Available in all cell sizes

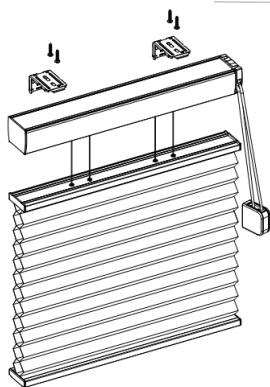
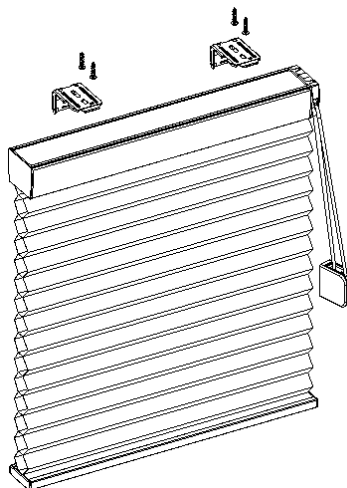
	Order Width	Handle QTY
Cordless	X ≤ 72"	1
	X > 72"	2
Cordless TDBU / Cordless D&N	X ≤ 72"	2
	X > 72"	4

Lift Systems – Cord Loop & SmartRelease

Cord Loop/SmartRelease™

- This option features a clutch that makes raising and lowering extremely wide shade easier.
- The circular cord will remain at the same length no matter which position the shade is raised. The shade can be easily adjusted to any height and will hold its position automatically.
- Covers extra wide windows.

SmartRelease™: This **exclusive** and **patent-pending** innovation to cord loop systems allows the shade to be released or lowered from an upward position with a gentle pull.

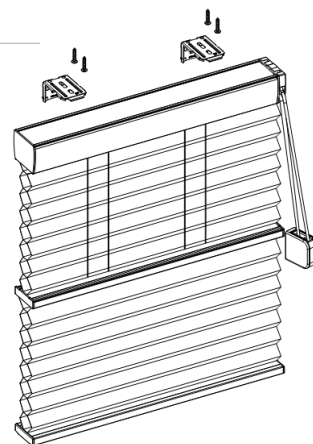


Cord Loop TD (Top Down)

- Convenient light and privacy control by raising and lowering the mid rail.
- Easy to operate cord loop system.
- Covers extra wide windows.

Cord Loop Day & Night

- Control the amount of light or privacy level by switching between two different fabrics.
- Sheer fabric can be on top (recommended), or bottom. *When sheer fabric ordered on the bottom, certain components in the mid rail and bottom rail may become visible through the sheer fabric when the shade is in a lowered position.



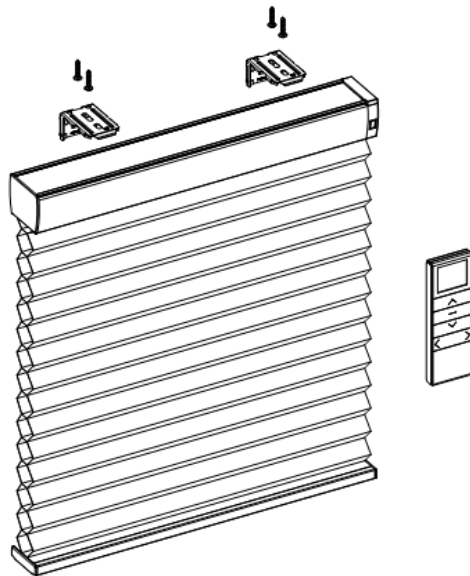
Cord Loop Length (Y2)

Shade Height (Y)	Default Cord Length
Y ≤ 30"	16"
30" < Y ≤ 42"	24"
42" < Y ≤ 54"	36"
54" < Y ≤ 66"	48"
66" < Y ≤ 90"	60"
Y > 90"	84"
Shade Height (Y)	Custom Cord Length
All Shade Heights	Min: Must be at least 6" Max: Must not exceed 3x the order height.

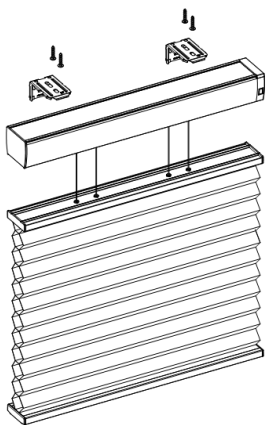
System	Control Location		
	Shade Type	Default	Optional
Cord Loop, SmartRelease™	Single Shade	Right	Left
	2-on-1 (*not available for SmartRelease™)	Left shade: left Right shade: Right	N/A
Cord Loop TD, Cord Loop Day & Night	Single Shade	Right	Left

Portrait™ Honeycomb Shades

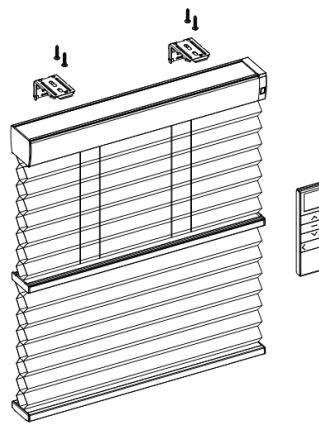
Lift Systems - Motorization



Motorized Bottom Up



Motorized Top Down



Motorized Day & Night



- Radio frequency technology allows you to operate from virtually anywhere in the home
- Operate multiple shades simultaneously or individually
- Available in bottom-up, top down and day & night
- Easy to program and use 15-channel remote control
- Each shade is assigned to its own channel
- Convenient manual switch enables raising and lowering when the remote is not available
- Two power sources to choose from: battery wand, plug in adaptor

System	Control Location		
	Shade Type	Default	Optional
Motorized Bottom Up (Motor Position)	Single Shade	Right	Left
	2 on 1	Left shade: left Right shade: Right	N/A
Motorized TD, Motorized Day & Night (Motor Position)	Single Shade	Right	Left



Lift Systems - Motorization

How to Order your Motorized Shade:


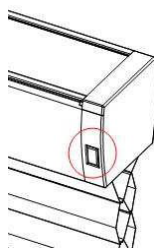


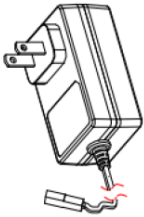
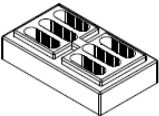
Step 1: Specify fabric cell size & fabric type.

Step 2: Select "Motorization" and specify motor location. Default is right.

Step 3: Specify power source (battery wand* or AC adaptor).

*For battery wand, please specify whether to attach it to the headrail or not.

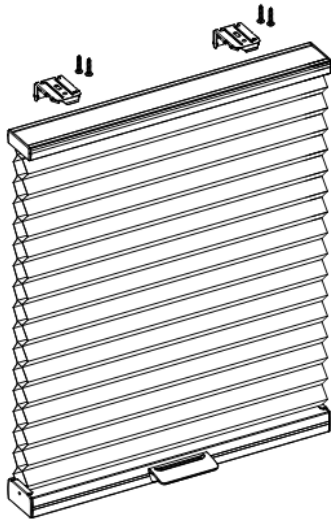
Step 4 : Specify the remote channel (1 to 15- one shade per channel) & the remote quantity.

Remote/Motors		Additional Info	Parts/Options		Additional Info
	Remote control	Uses 1x CR2450 (3V) battery (not included)		Manual Switch	When the remote is not accessible, the shade can also be operated by the manual control button. Installed on the headrail end cap, by motor location.
	Battery Wand	The motor option includes one battery wand. An <u>additional</u> battery wand can be requested. Please note that the two battery wands will not be daisy-chained together. Length: 17" Cable length: 8" Optional cable extension available: 48" or 96" Diameter: 0.78" Uses 8x AA batteries (not included)		Battery wand clip	2 pcs per wand
	AC adaptor	Cable length: 59" Optional cable extension available: 48", 96" Input: 100-240V~ 50/60Hz 0.8A Output: 12V---2.0A Dims: 2" W x 1 3/8" D (not including the plug) x 3 1/8" H CE Certified RoHS Certified		Shim/Spacer Block	Optional

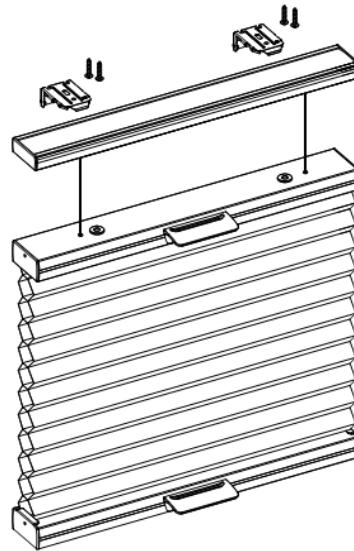
Lift Systems – Cordless / Cordless TDBU for Woven Fabrics

High-design textures and materials specially curated for a new generation of quality, style and luxury.

- Fabric collections: **Windsong & Breeze**
- 3/4" Single & 1 1/4" Single cell only
- Available in Cordless & Cordless TDBU systems
 - Not available as a Day & Night application
- Available as a single shade or 2 on 1 headrail



Cordless



Cordless TDBU

Woven Cordless Operating System

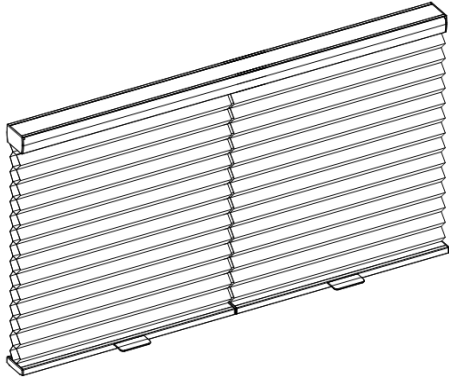
- Shades ordered with our new woven honeycomb fabrics will come in the unique system where the operating mechanism is housed in the bottom rail and not the headrail.
- Matching Woven fabrics with other Honeycomb Fabrics:
 Since Cordless for Woven and SmartRise™ Cordless have notably different rail sizes, the two shades types will look visibly different from each other when placed next to each other. Keep this in mind when ordering woven fabrics with other shades in the same room, or in the same home.

	Order Width	Handle QTY
Woven Cordless	$X \leq 72"$	1
	$X > 72"$	2
Woven Cordless TDBU	$X \leq 72"$	2
	$X > 72"$	4

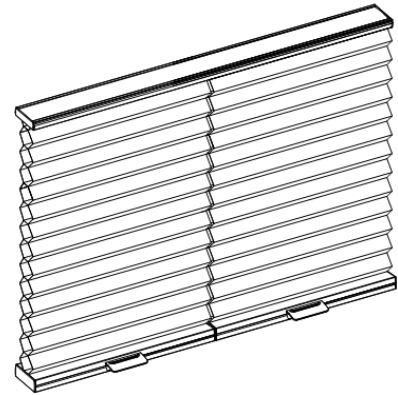
Lift Systems - 2 on 1 Shades / Side by Side Options

2 on 1 Shades

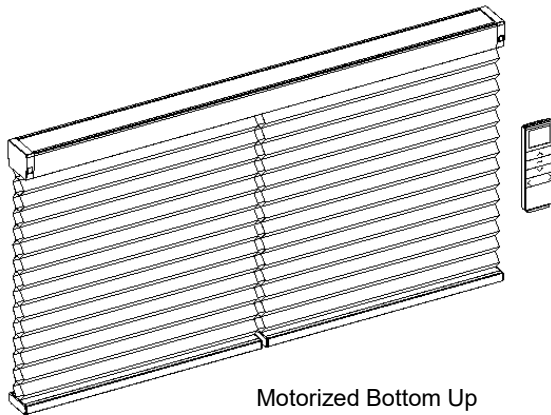
- Two independent working shades, on one headrail for a more uniform and consistent look.
- The control locations will be on the left of the left shade, and right of the right shade- as depicted below. To ensure the long term performance of the shade, the control location cannot be changed for 2-on-1 shades.
- Available in the following lift systems only:



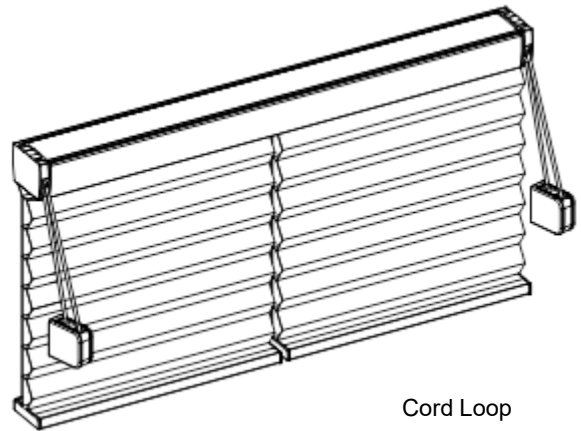
Cordless



Cordless (Woven)



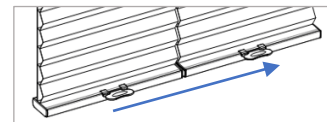
Motorized Bottom Up



Cord Loop

Side by Side

- When side by side is selected, magnets will be added to ensure rail alignment. Cell alignment or exact shade height at a fully lowered position is not guaranteed.
- Must be identical in:
 - Mount type
 - Lift system
 - Fabric color
 - Shade height
 - Cell size
- Available for all lift systems except for Motorized applications, SmartFit with Frame applications and SmartFit for Sloped Window applications.
- **Handle QTY is per shade for Side by Side cordless shades**



	Order Width	Handle QTY per shade
Cordless / Woven Cordless	$X \leq 72"$	1
	$X > 72"$	2

Portrait™ Honeycomb Shades

Lift Systems – SmartFit, SmartFit for Sloped Windows

SmartFit™

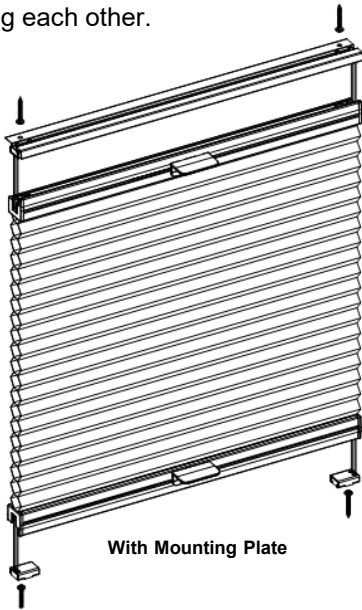


- Adjust your privacy level by lowering the shade from the top to let in natural light or raising the shade from the bottom like a traditional cordless shade.
- No dangling pull cords for enhanced child and pet safety.
- Exclusive concealed cord equalizer housing for a clean look
- Works like cordless TDBU without the cords in the center; inside or outside mount
- Available in all cell sizes
- Suitable for windows up to 15°
- For 3/4" Single & 1/2" Double only: When multiple SmartFit shades for the same window opening are ordered (or specified as **side by side**), magnets will be moved towards the center- not on the ends of the rails. This is to prevent shades from attracting each other.



Mounting Plate
 3/8" S, 3/4" S, 9/16" & 1/2" D
 Default: Yes; Optional: No

3/4" D, 1 1/4" S
 Standard (required)



With Mounting Plate

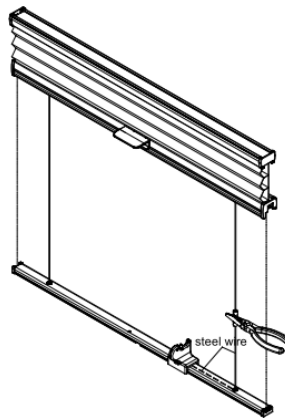
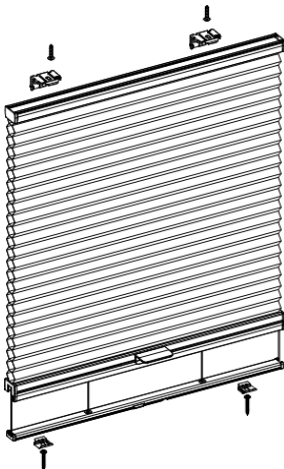
Cell Sizes	Shade Width (X)	Inner Cord* Qty#
3/8" S	X ≤ 50"	2
	X > 50"	3
3/4"S, 1/2"D, 9/16"S	X < 47"	2
	X ≥ 47"	4
3/4"D, 1 1/4"S	All Width	4

*The inner cords within the shade may be visible in some sheer fabrics.

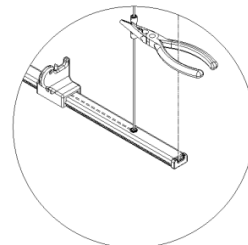
	Order Width	Handle QTY
SmartFit (3/8"S max is 50")	X ≤ 50"	2
	X > 50"	4
SmartFit for Sloped Windows	X ≤ 50"	1
	X > 50"	2

SmartFit™ for Sloped Windows

- Available in 3/8" single cell only
- Operates as bottom up
- Suitable for windows up to 45°~90°



Shade Width (X)	Metal Wire Qty
8.5" ≤ X ≤ 31.5"	2
31.5" < X ≤ 45.25"	3
45.25" < X ≤ 59"	4



Regulator

To tighten the steel wires, we recommend using a pair of pliers to pull the steel wire towards the bottom rail and then adjust the regulator pin to draw the steel wire. Be sure to place a cloth or a barrier between the pliers and steel wire to avoid breaking the wire.



Lift Systems - SmartFit Dual Shade, SmartFit Dual Shade with Frame

SmartFit™ Dual Shade

- Two individual SmartFit shades that operate independently allowing for more fabric combinations
- Works like cordless TDBU without the cords in the center; inside or outside mount
- Suitable for windows up to 15° in slope
- For 3/4" Single: When multiple SmartFit shades for the same window opening are ordered (or specified as side by side), magnets will be moved towards the center- not on the ends of the rails. This is to prevent shades from attracting each other.
- Suitable for windows up to 15°

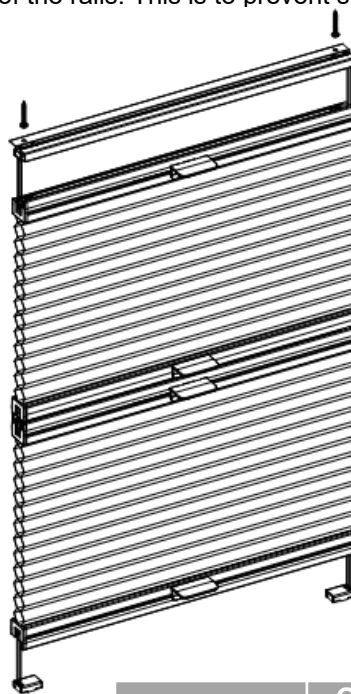
Fabric combinations

- All fabric types (except FR and Woven Breeze) can be combined as top or bottom shades; no fabric type defaults.
 - Sheer + RD, LF, Windsong, Designer
 - Or combine same fabric types (LF + LF, etc.)

Cell Sizes

- Available in same cell size combinations only.
*Not available in (OB) large cell sizes: 3/4"D & 1 1/4"S

SmartFit Dual Shade Cell Combinations	
Top	Bottom
3/8" Single	3/8" Single
9/16" Single	9/16" Single
3/4" Single	3/4" Single
1/2" Double	1/2" Double
3/4" Double*	3/4" Double*
1 1/4" Single*	1 1/4" Single*



	Order Width	Handle QTY
SmartFit Dual (3/8"S max is 50")	X ≤ 50"	4
	X > 50"	8

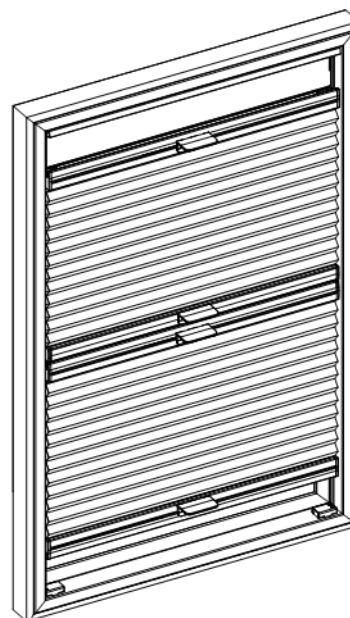
SmartFit™ Dual Shade with Frame

- All fabric types (except FR and all Woven fabrics) can be combined as top or bottom shades available in 3/8" Single cell

SmartFit Dual Shade with Frame Cell Combinations	
Top	Bottom
3/8" Single	3/8" Single

- Each shade between t-posts are still limited to a single SmartFit Dual shade

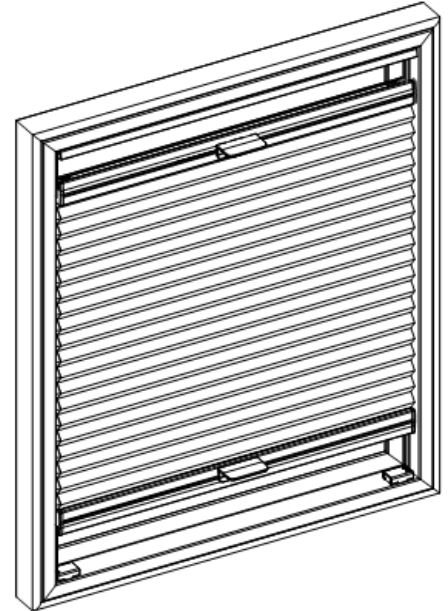
	Width (Net)		Height		Max Area
	Min	Max	Min	Max	
SmartFit™ Dual Shade (3/8" S)	8 1/2"	50"	12"	86"	43 SQFT



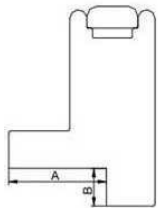
Lift Systems - SmartFit with Frame

SmartFit™ with Frame

- Perfect solution for French doors or any window
- Adjusts from the top or from the bottom securely with no dangling cords
- Can be mounted as inside or outside mount
- Available in 3/8" Single cell only
- Available frame styles:
 - Vintage L Frame with Insert (1/4" Light Block)
 - Vintage L Frame with Insert (3/4" Light Block)
(Only available with notch out option)
 - Vintage Hang Strip with Insert (No Light Block)
 - Beaded L frame
 - 1 1/4" Beaded Z Frame
 - 1 1/2" Bullnose Z Frame
 - 2" Belair Z frame
 - 2" Bullnose Z Frame
 - 3" Crown Z Frame
 - 2" Camber Deco Frame
 - 2" Classic Deco Frame
 - 3" Ridge Deco Frame
- Frames are available as 4-sided frames or 3-sided frames with a sill plate at the bottom
 - Sill plates are optional for Z and Deco frames only.
- T Posts are optional for all frame types
- Optional Notch out for Vintage L Frame with 3/4" Light Block)

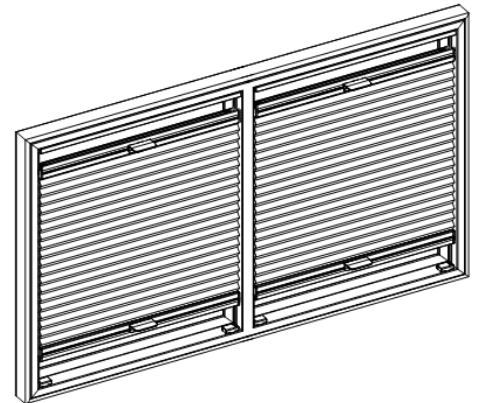


SmartFit™ with Frame
with Vintage L frame



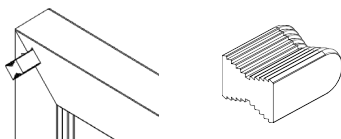
Notch-out size limitation:
 $A \leq 1 \frac{1}{8}"$
 $B \leq \frac{1}{2}"$

Notch-out is allowed on the light block area.



SmartFit™ with Frame with
Vintage L frame and T post

- Featuring a 4-dovetail key solution for an easy installation



Dovetail key displayed with L frame

	Order Width	Handle QTY
SmartFit with Frame (per shade)	$X \leq 50"$	2

Lift Systems - SmartFit with Frame

SmartFit™ with Frame

- Only max frame to frame measurements will be accepted
 - Width: measure from the left edge of the left frame to the far right edge of the right frame
 - Height: measure from the top edge of the top frame to the bottom edge of the bottom frame



	Frame to Frame Width				Frame to Frame Height
	NO T-post 1 Shade	1 T-post 2 Shades	2 T-posts 3 Shades	3 T-posts 4 Shades	
Vintage L & Beaded L Frame / Hang Strip					
Min	10 1/2"	20"	29 1/2"	39"	8"(SmartFit) / 14"(SmartFit DNN)
Max	51 3/4"	102 3/4"	153 3/4"	204 3/4"	87 3/4"
1 1/4" Beaded Z Frame					
Min	11 1/4"	20 3/4"	30 1/4"	39 3/4"	8 3/4" (SmartFit) / 14 3/4" (SmartFit DNN)
Max	52 1/2"	103 1/2"	154 1/2"	205 1/2"	88 1/2"
1 1/2" Bullnose Z Frame					
Min	11 3/4"	21 1/4"	30 3/4"	40 1/4"	9 1/4" (SmartFit) / 15 1/4" (SmartFit DNN)
Max	53"	104"	155"	206"	89"
2" Camber & Classic Deco Frame / 2" Belair & Bullnose Z Frame					
Min	12 3/4"	22 1/4"	31 3/4"	41 1/4"	10 1/4" (SmartFit) / 16 1/4" (SmartFit DNN)
Max	54"	105"	156"	207"	90"
3" Ridge Deco Frame / 3" Crown Z Frame					
Min	14 3/4"	24 1/4"	33 3/4"	43 1/4"	12 1/4" (SmartFit) / 18 1/4" (SmartFit DNN)
Max	56"	107"	158"	209"	92"

- Each shade between t-posts is limited to a single SmartFit™ shade

	Width (Net)		Height		Max Area
	Min	Max	Min	Max	
SmartFit™ (3/8" S)	8 1/2"	50"	6"	86"	30 SQFT

Conversion Chart

Frame	Frame thickness *	Standard IM Deduction	Conversion Window Size to Max Frame to Frame	
			Inside Mount (IM)	Outside Mount (OM)**
Vintage L Frame with Insert (1/4" Light Block)	7/8" (x2)	zero	MFF = Window Size - customer determined deduction	MFF = Window Size + 1 3/4"
Vintage L Frame with Insert (3/4" Light Block)	7/8" (x2)	zero		
Vintage Hang Strip with Insert (No Light Block)	7/8" (x2)	zero		
Beaded L frame	7/8" (x2)	zero	MFF = Window Size - 1/8" + 6/8" (5/8")	N/A
1 1/4" Beaded Z Frame	3/8" (x2)	1/8"		
1 1/2" Bullnose Z Frame	5/8" (x2)	1/8"		
2" Belair Z frame	1 1/8" (x2)	1/8"		
2" Bullnose Z Frame	1 1/8" (x2)	1/8"	MFF = Window Size - 1/8" + 2 1/4" (2 1/8")	MFF = Window Size + 4"
3" Crown Z Frame	2 1/8" (x2)	1/8"	MFF = Window Size - 1/8" + 4 1/4" (4 1/8")	
2" Camber Deco Frame	2" (x2)	N/A	N/A	
2" Classic Deco Frame	2" (x2)	N/A	N/A	MFF = Window Size + 4"
3" Ridge Deco Frame	3" (x2)	N/A		MFF = Window Size + 6"

* Z Frames - portion of frame that is outside of the window opening

**Conversion considers light block inside the window opening

Lift Systems - SmartFit with Frame

Special Note for calculating max frame to frame measurements for Z frames

Z frames are inside mounted frames. The body of the frame must fit within the window opening with only the outer lip of the frame residing outside of the window. Since the body of the frame must fit within the window opening we recommend taking a 1/16" deduction from each side of the smallest width and smallest height for an overall total of 1/8" to ensure the frame will fit within the opening. If the window is more than 1/4" out of square a larger deduction should be taken.

To calculate the max frame to frame width and height, first measure the window opening and deduct 1/16" from the smallest width and height of each side for an overall total of 1/8". Add the measurements (smallest window sizes minus the 1/8" deduction) to the portion of the Z frame lip that will be mounted outside of the window opening to arrive at the max frame to frame measurements.

1 1/4" Beaded Z	0.375"
1 1/2" Bullnose	0.625"
2" Belair & Bullnose	1.125"
3" Crown	2.125"

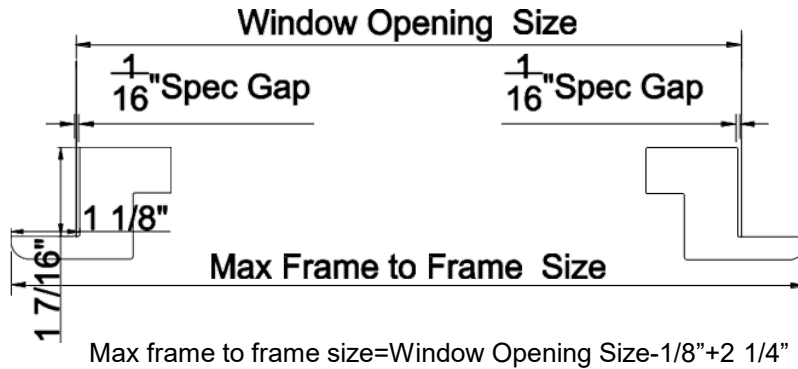
Fractions to decimals	
1/16	0.0625
1/8	0.125
1/4	0.25
3/8	0.375
1/2	0.5
5/8	0.625
3/4	0.75
7/8	0.875

Example: For a 36" x 60" window opening using a 2" Bullnose Z frame:

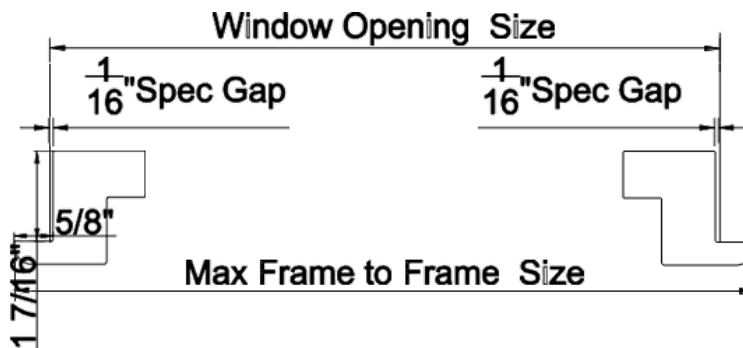
$$36 - (2 \times 0.0625") = 35.875" \text{ wide} + (2 \times 1.125") = 38.125" \text{ max frame to frame width}$$

$$60 - (2 \times 0.0625") = 59.875" \text{ tall} + (2 \times 1.125") = 62.125" \text{ max frame to frame height}$$

2" Bullnose Z Frame



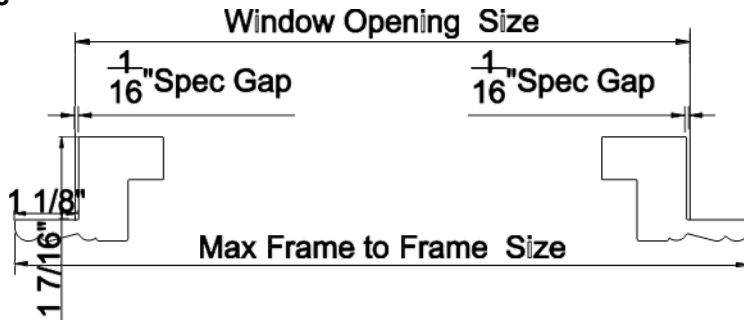
1 1/2" Bullnose Z Frame



$$\text{Max frame to frame size} = \text{Window Opening Size} - 1/8" + 1 1/4"$$

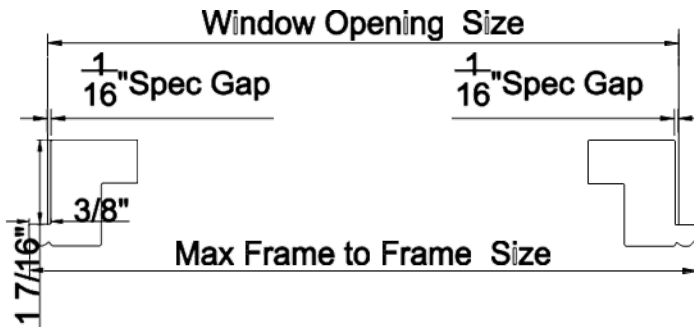
Lift Systems - SmartFit with Frame

2" Belair Z frame



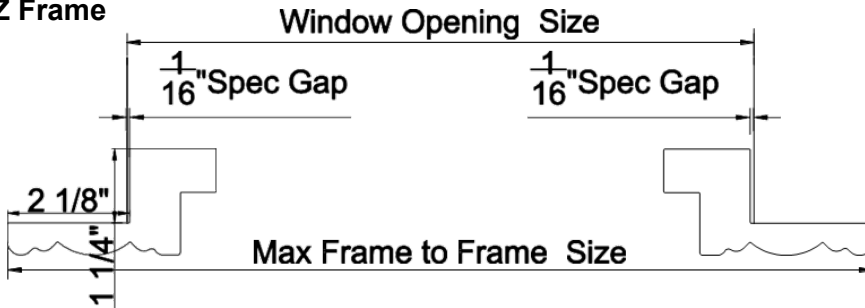
Max frame to frame size = Window Opening Size - $\frac{1}{8}$ " + $2\frac{1}{4}$ "

1 1/4" Beaded Z Frame



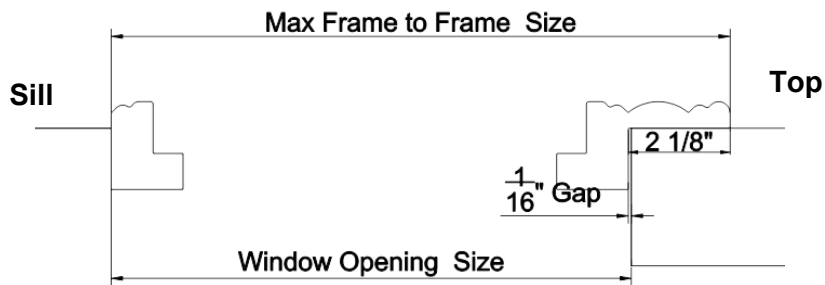
Max frame to frame size = Window Opening Size - $\frac{1}{8}$ " + $\frac{3}{4}$ "

3" Crown Z Frame



Max frame to frame size = Window Opening Size - $\frac{1}{8}$ " + $4\frac{1}{4}$ "

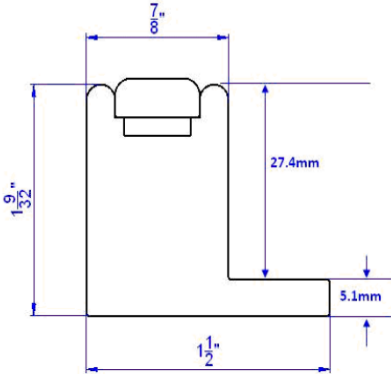
For orders using sill plates, subtract the recommended deductions and add the top lip measurement to the height only.



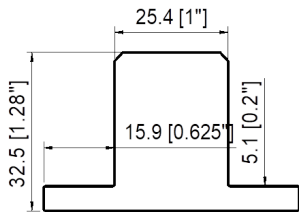
Lift Systems - SmartFit with Frame

Frame, and T-Post Options

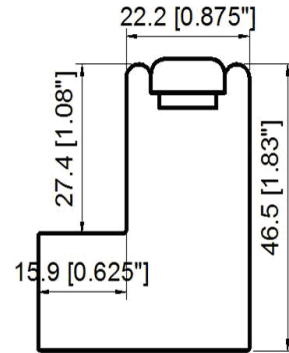
L Frames & Hang Strip



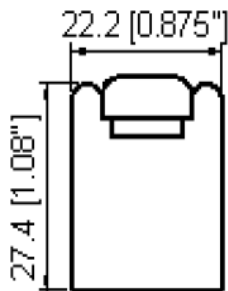
**Vintage L Frame with Insert
(1/4" Light Block)**



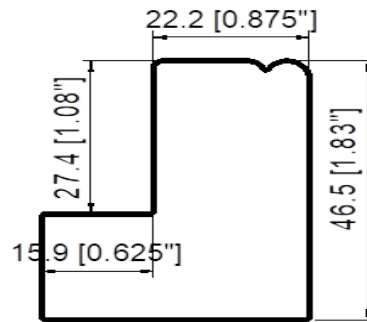
(Optional T Post)



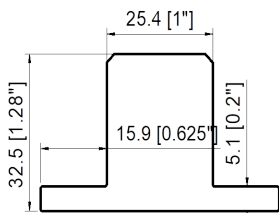
**Vintage L Frame with Insert
(3/4" Light Block)
Available with Notch Out Only**



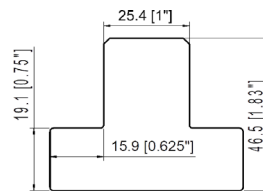
Vintage Hang Strip



Beaded L frame



(Optional T Post)

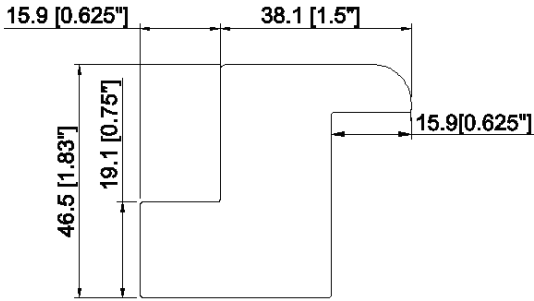


(Optional T Post)

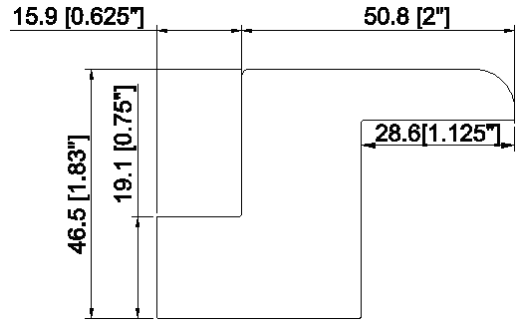
Lift Systems - SmartFit with Frame

Frame, T-Post and Sill Plate Options

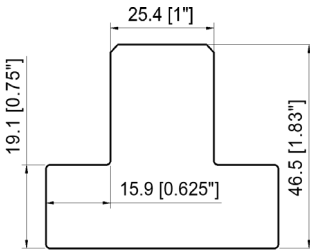
Z Frames



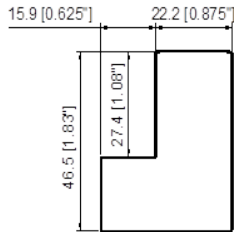
1 1/2" Bullnose Z Frame



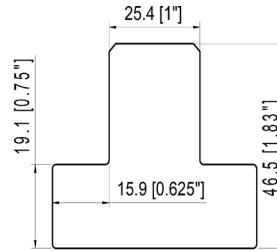
2" Bullnose Z Frame



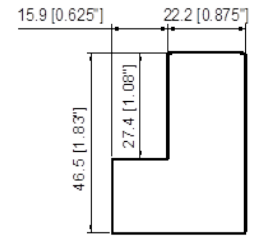
(Optional T Post)



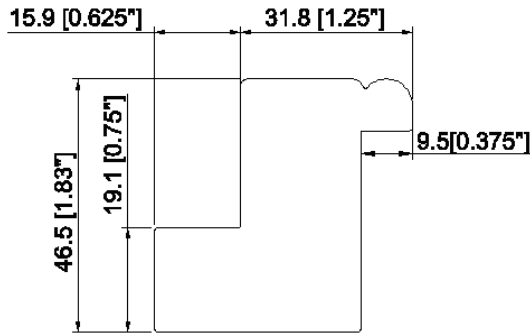
(Optional Sill Plate)



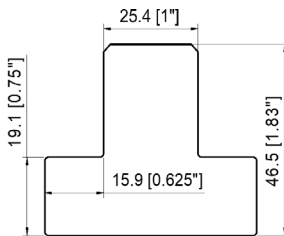
(Optional T Post)



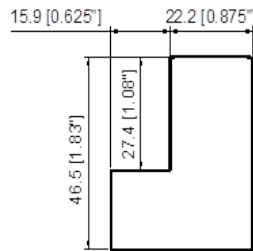
(Optional Sill Plate)



1 1/4" Beaded Z Frame



(Optional T Post)

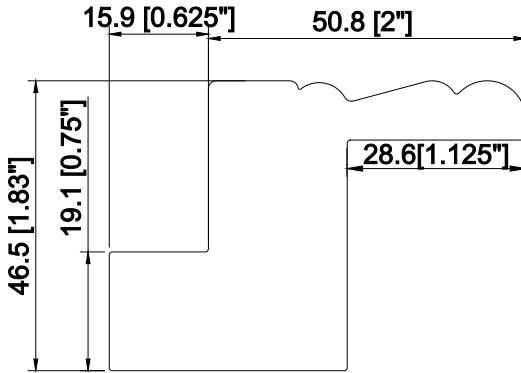


(Optional Sill Plate)

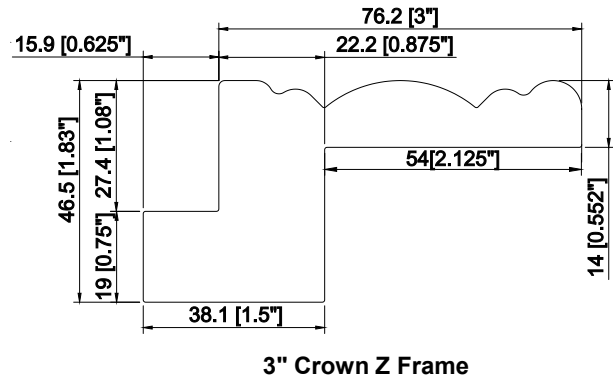
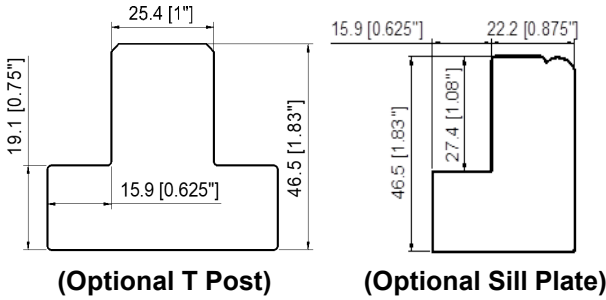
Lift Systems - SmartFit with Frame

Frame, T-Post and Sill Plate Options

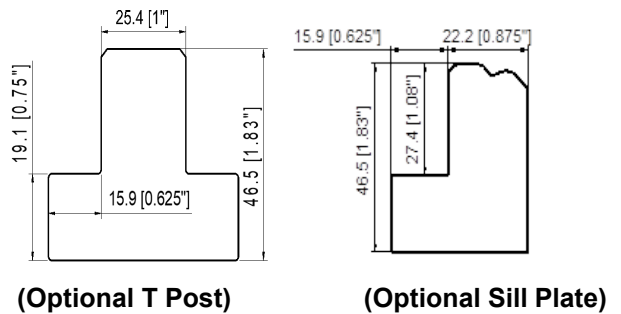
Z Frames



2" Belair Z Frame



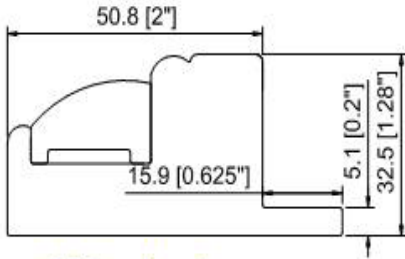
3" Crown Z Frame



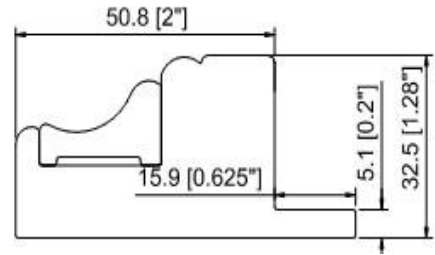
Lift Systems - SmartFit with Frame

Frame, T-Post and Sill Plate Options

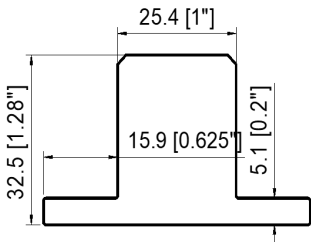
Deco Frames



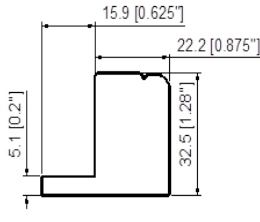
2" Camber Deco Frame



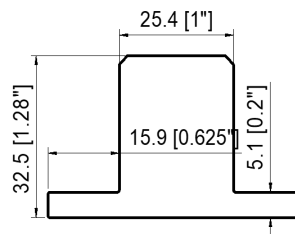
2" Classic Deco Frame



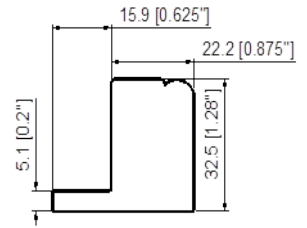
(Optional T Post)



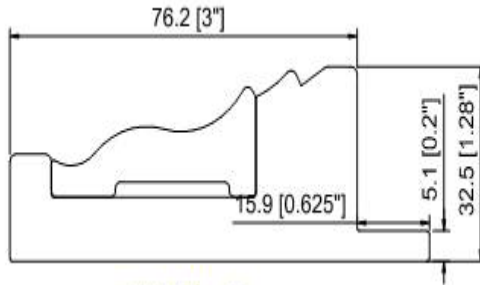
(Optional Sill Plate)



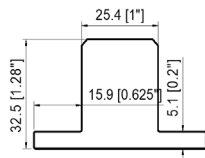
(Optional T Post)



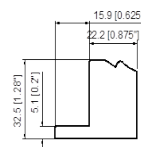
(Optional Sill Plate)



3" Ridge Deco Frame



(Optional T Post)



(Optional Sill Plate)

Lift Systems - SmartFit with Frame

T-Post Options

T-posts are a great option for:

- Covering wide windows
- A seamless solution for side by side windows

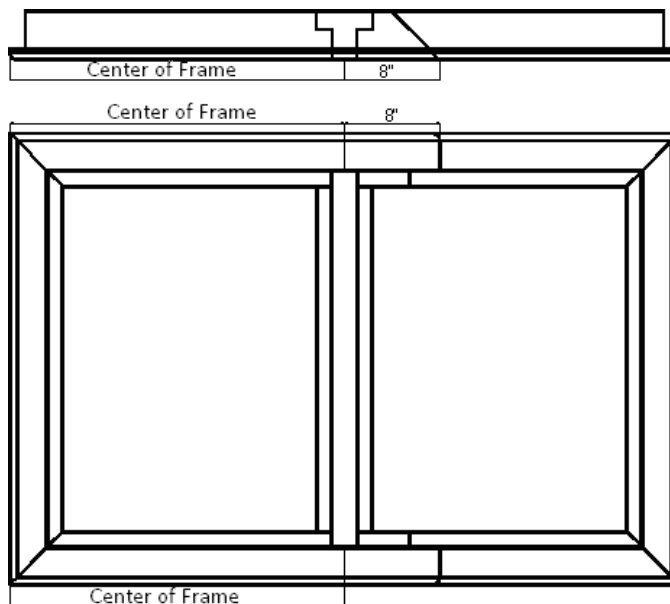
Each frame can have up to 3 T-posts which allows for 4 side by side shades

The Max Frame to Frame width and height for each frame type are outlined below

Frame + T - Post:

For frame (with T post) width > 120", the frame will be split. The split point will avoid the T-post location. Spliced away from the T-post.

Frame Type	Frame Width
ALL	120" < X ≤ 209" (2 pcs)



Lift Systems - SmartFit with Frame

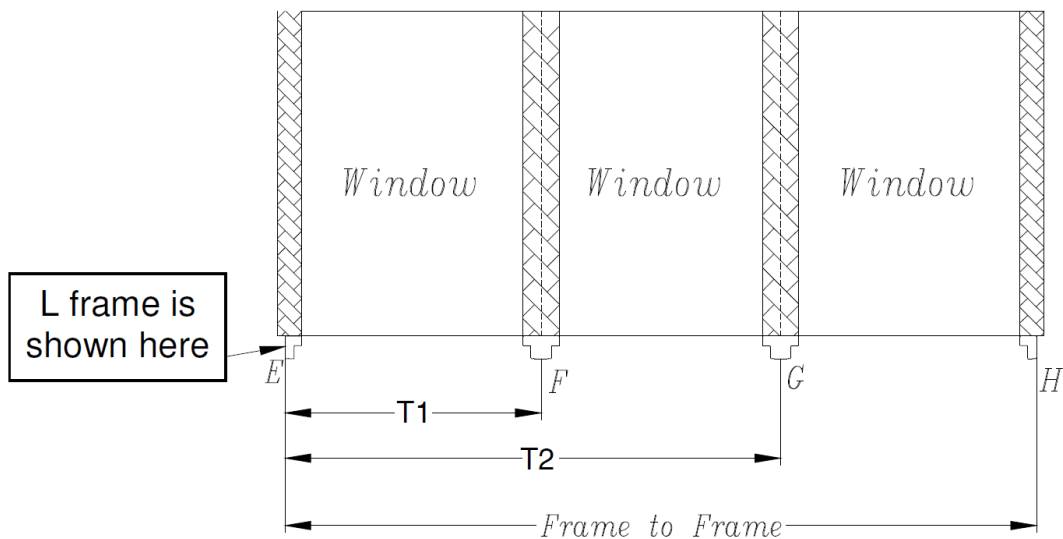
T-Post Measure Guidelines

T Post can be used to

- Divide a window vertically to match the window design with mullion
- Accommodate wider window opening/window with mullion

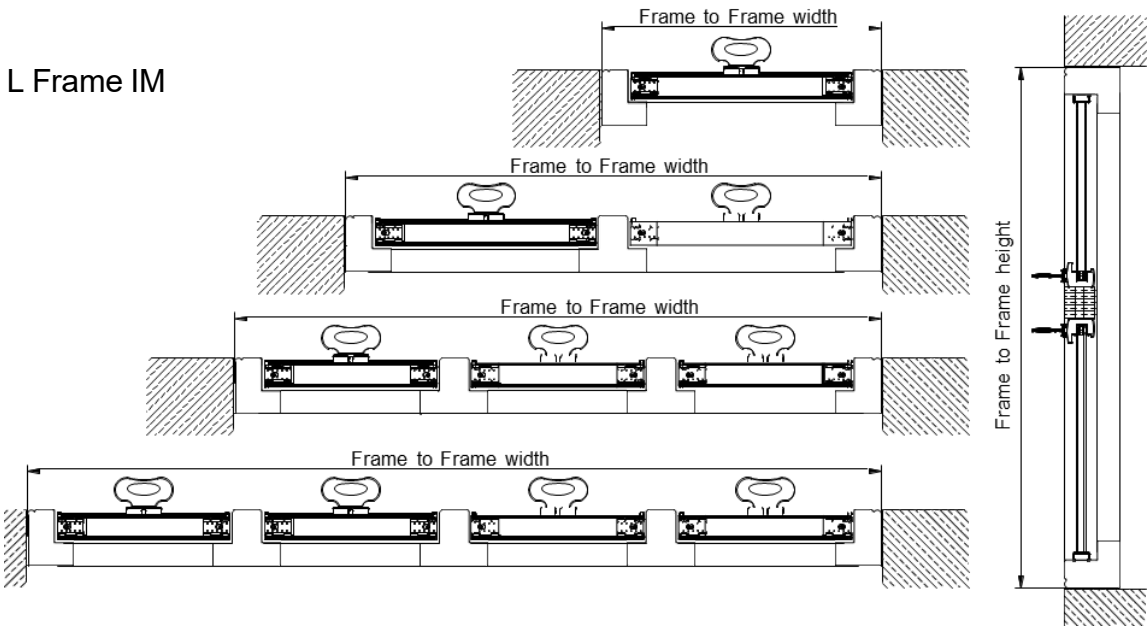
Measuring T Post location for Max Frame to Frame

1. T1 = measure point E to point F
2. T2 = measure point E to point G
3. Measure from point E to point H for overall Max Frame to Frame size.

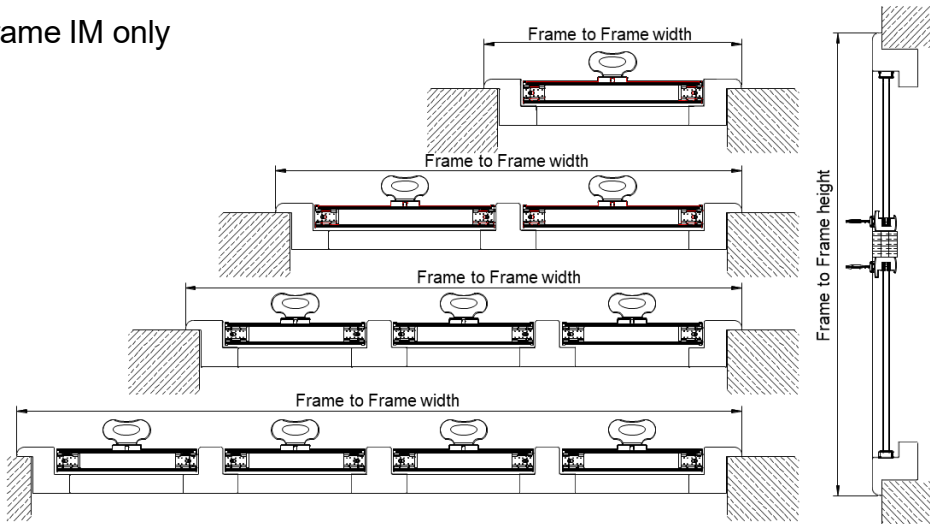


Lift Systems - SmartFit with Frame

Max Frame to Frame Size:

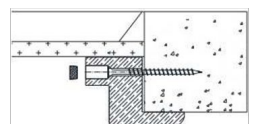
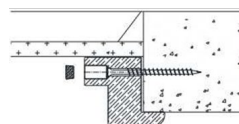
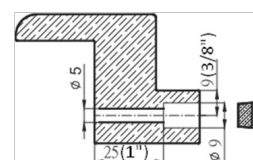
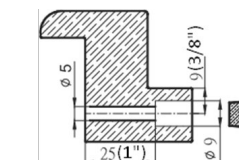


Z Frame IM only



* The center of the screw hole to the top edge of Z frame is 3/8". The window depth should be enough to avoid the plaster thickness for proper installation.

* It's recommended to take 1/16" deduction for each side (1/8" deduction for both sides) from the window to get max frame to frame size for IB.



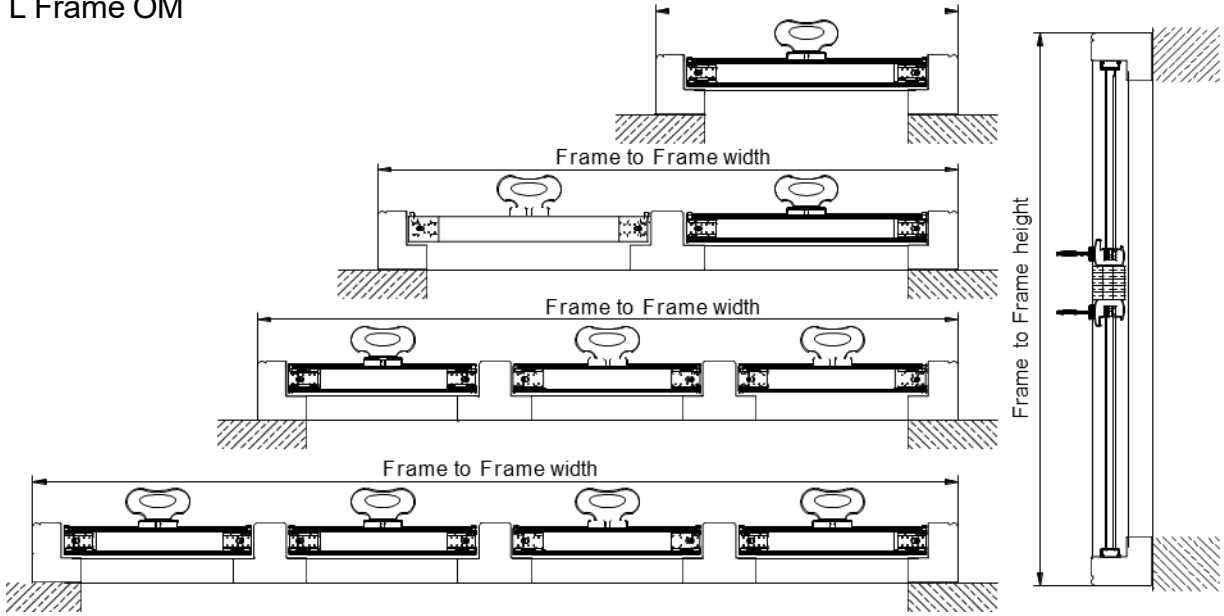
1.5" Bullnose Z Frame

2" Bullnose Z Frame

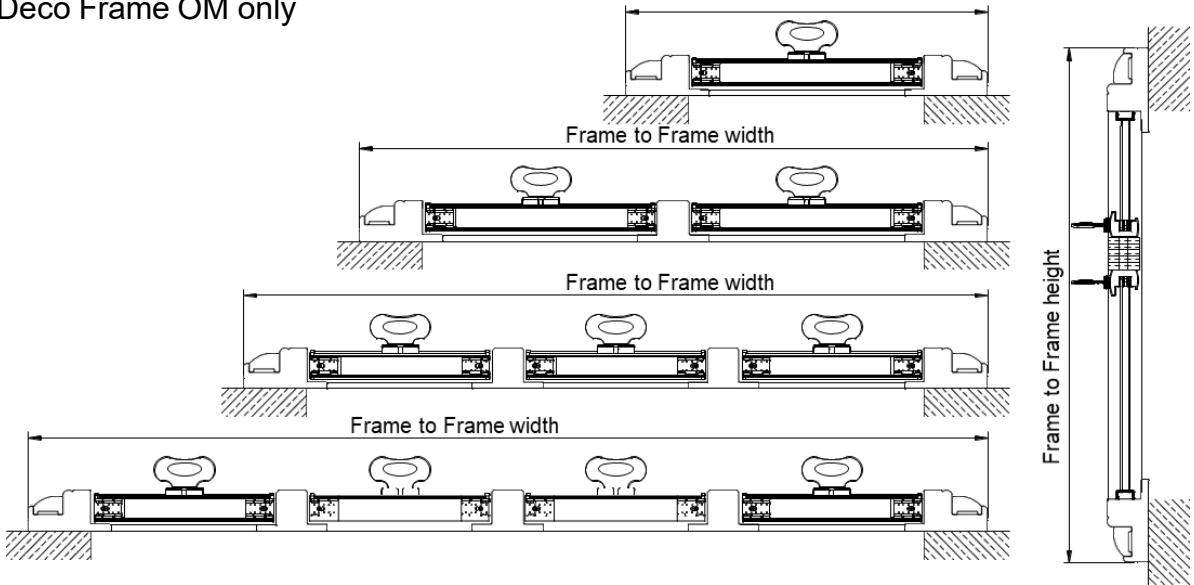
Lift Systems - SmartFit with Frame

Max Frame to Frame Size:

L Frame OM



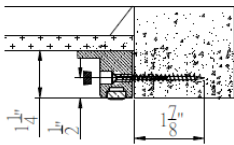
Deco Frame OM only



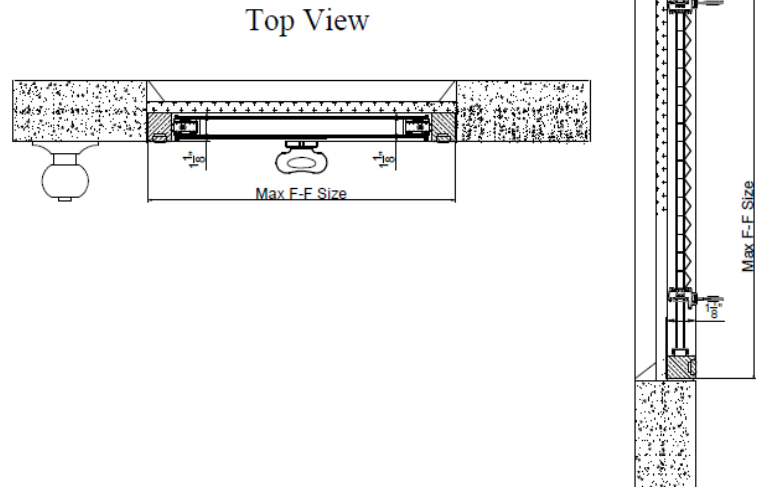
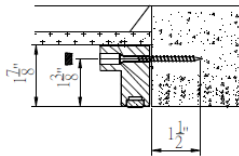
Inside Mount – L Frame & Hang Strip

Measuring for door with or without trim around the glass

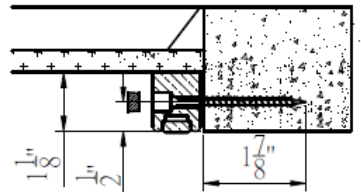
- **Our Recommendation:** take a 1/16" deduction on each side from the window area to get the max frame to frame size.
- Minimum distance of 3/4" is required for installing the L frame.
- L frame thickness:
 - 1 1/4" for 1/4" light block



- 1 7/8" for 3/4" light block



- Hang strip thickness: 7/8".
- The center of screw hole to the top edge of hang strip is 1/2". The window depth should be enough to avoid the plaster thickness for proper installation.
- It's recommended to take 1/16" deduction for each side (1/8" deduction for both sides) from the window to get max frame to frame size for IB.



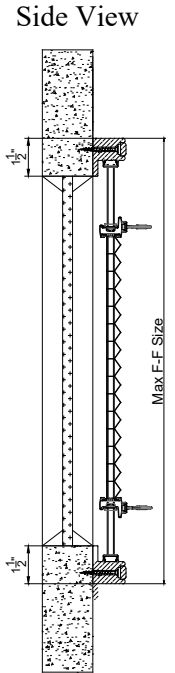
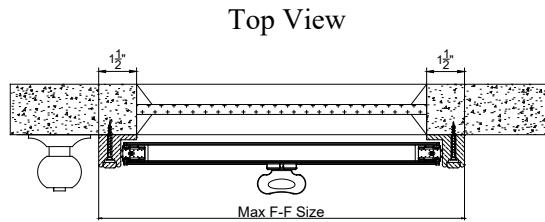
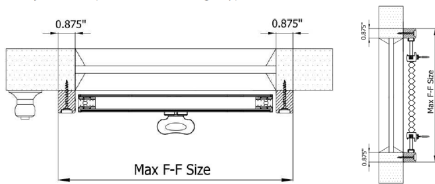
Lift Systems - SmartFit with Frame

SmartFit™ with Frame

Outside Mount

Measuring for door with no trim around the glass

- **Our Recommendation:** add 1 1/2" on each side from the glass area to get the max frame to frame size. (With hang strip add 7/8")
- Minimum distance of 3/4" is required for installing the L frame.
- L frame thickness is 1 9/32"

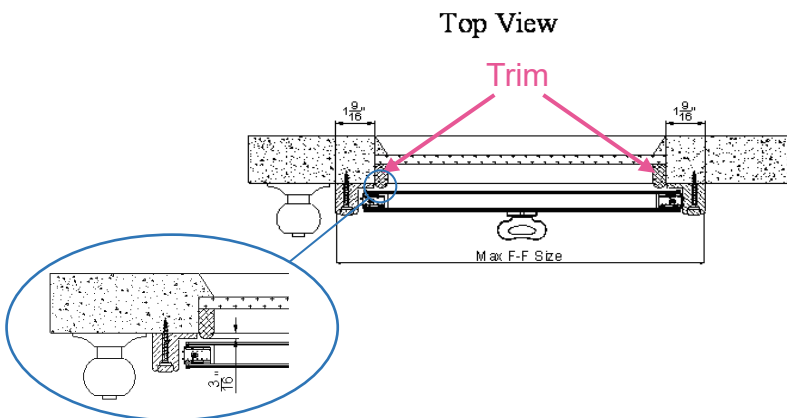


Measuring for door with trim around the glass

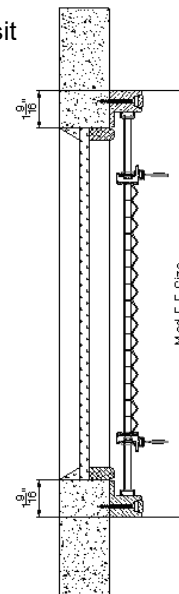
- **Our Recommendation:** add 1 9/16" on each side from the outside trim measurement to get the max frame to frame size.
- Projection of trim should be no more than 3/16"*

If the projection of the trim is more than 3/16", you will need to:

- Utilize the L frame with the 3/4" light block with Notch Out so the frame rests over the trim.
- Determine the height and depth of the notch out to allow it to sit over the trim (Maximum height 1/2", width 1 1/8").



Side View



Lift Systems - SmartFit with Frame

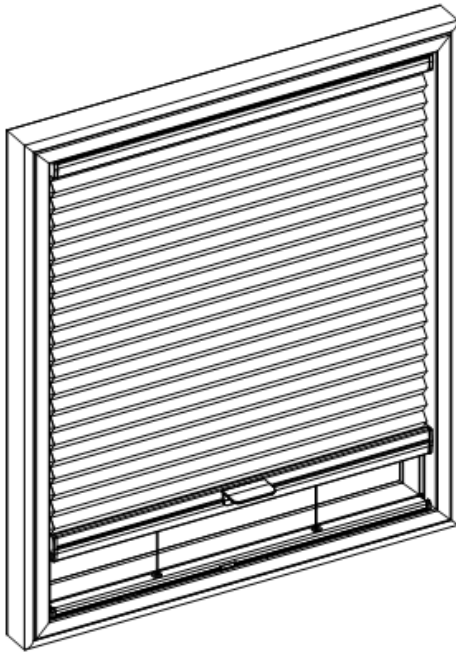
Pre-Drill Options

Frame Type	Frame	Mounting Type	Pre-drilled	
			IB	OB
L Frames	Vintage L Frame with insert (0.2" light block)	IB & OB	Optional	Yes
	Vintage L Frame with insert (0.75" light block)		Optional	Yes
	Beaded L frame		Optional	No
Hang Strip	Hang Strip		Optional	Yes
Deco Frames	2" Camber Deco Frame	OB	N/A	Yes
	2" Classic Deco Frame		N/A	Yes
	3" Ridge Deco Frame		N/A	Yes
Z Frames	1 ¼" Beaded Z Frame	IB	Optional	N/A
	1 ½" Bullnose Z Frame		Optional	N/A
	2" Belair Z frame		Optional	N/A
	2" Bullnose Z Frame		Optional	N/A
	3" Crown Z Frame		Optional	N/A

Lift Systems - SmartFit for Sloped Windows with Frame

SmartFit™ for Sloped Windows with Frame

- Available with Vintage L frame (0.2" & 0.75" light block) and hang strip only
- Perfect solution for skylight windows or sloped windows 15° to 90°
- With decorative frame and brackets pre-attached
- Operates as Bottom Up only
- Can be mounted as inside or outside mount; Available in all 3/8" Single cell only
- For inside mount, pre-drill frame for easy installation is optional. Wood plugs and mounting screws will be supplied when pre-drill option is selected
- For outside mount, frames are pre-drilled by default and includes frame mounting screws



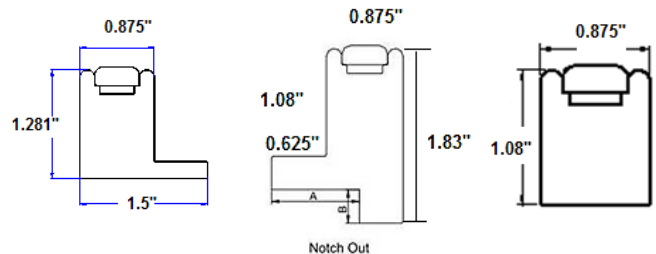
General Specifications

1. Frame: hard wood; available in 51 Normandy shutter colors. See previous page for full color list.
2. Frame: Vintage L frame (1/4" light block & standard with optional notch-out) & Vintage Hang Strip

Size Considerations

Max frame to frame	Min	Max	Max Area
Width	10 1/2"	60 7/8"	50.3 SQFT
Height	7 3/4"	121 3/4"	

- Only max frame to frame measurements will be accepted



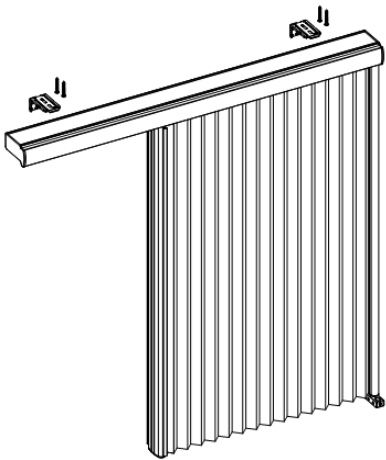
	Order Width	Handle QTY
SmartFit for Sloped Windows with Frame	X ≤ 50"	1
	X > 50"	2



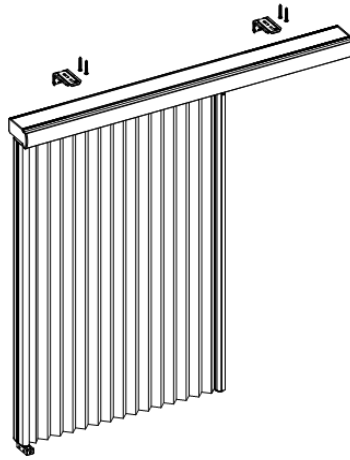
Lift Systems - Patio Door Vertical Honeycomb

Patio Door Vertical Honeycomb

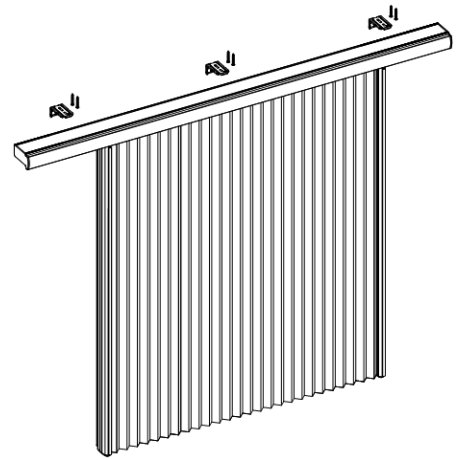
- Perfect solution for sliding doors or large windows
- Available in 3/4" Single and 1 1/4" Single cell sizes only
- Stacking configurations:
 - Left Stack
 - Right Stack
 - Traveling Center Stack
 - Center Opening
 - Split evenly
 - Custom Split: Left and right widths can be specified
- Magnetic strips are attached to the center moving vertical rails on Center Opening and Vertical D&N shades.



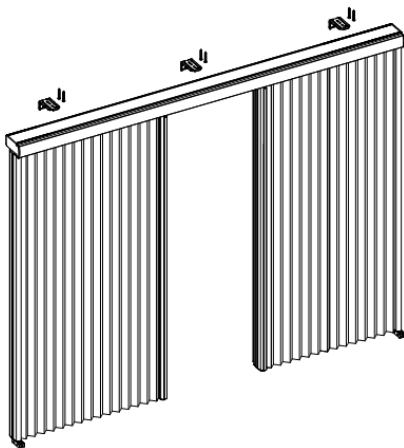
Right Stack



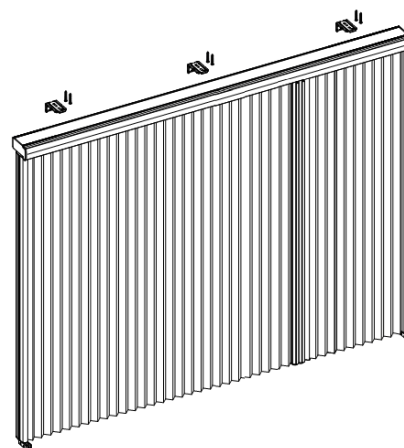
Left Stack



Traveling Center Stack



Center Opening
(Split Evenly)



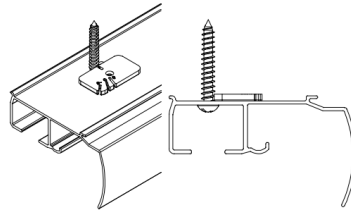
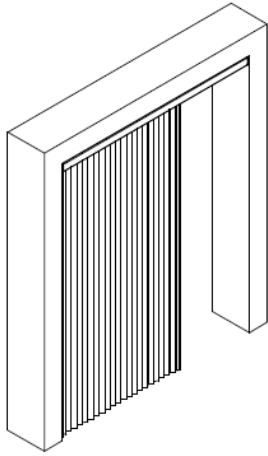
Center Opening
(Custom Split)

Lift Systems - Patio Door Vertical Honeycomb

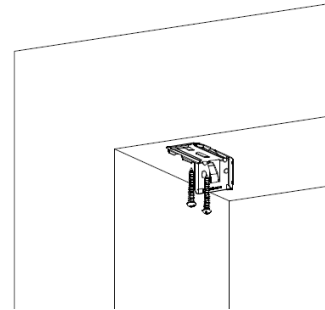
Patio Door Vertical Honeycomb

Mounting & Measuring

- **Inside Mount:** There are two IM installation methods for Patio Door Vertical. Be sure to specify the one of the following options in your order.
 - **Top-Mount (pre-drilled headrail):** Mounting screws will come pre-drilled through the headrail for a top-mount installation
 - **Installation Bracket:** Traditional bracket installation

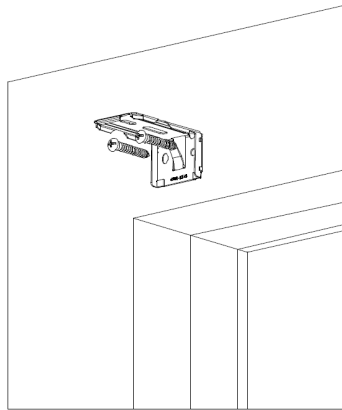
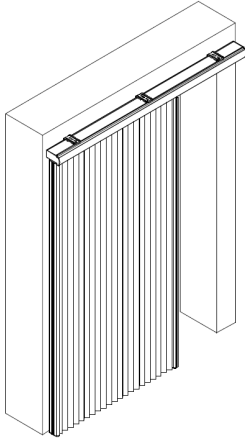


(Top-Mount Pre-Drilled Headrail)



(Installation Brackets)

- **Outside Mount:** Mounting brackets will be provided for wall-mount installation



How to Measure for Vertical Honeycomb:

IB: Order width & height = window width & height.

OB: Add 4" to opening width and 2" to opening height.

How to Measure for Custom Split:

Shade Width: measure from the left end cap to the right end cap along the headrail.

Shade Height: measure from the top of headrail to the bottom of vertical rail end cap.

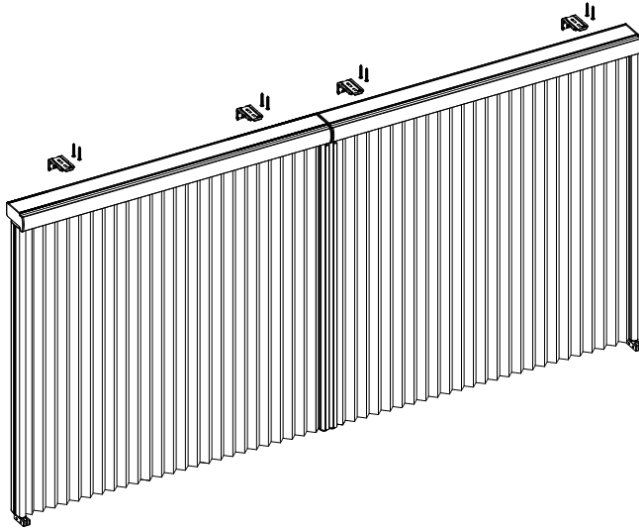
Left Shade width: measure from the left headrail end cap to the middle vertical rails joint

Right Shade width: measure from the middle vertical rails joint to the right headrail end cap

Lift Systems - Patio Door Vertical Honeycomb

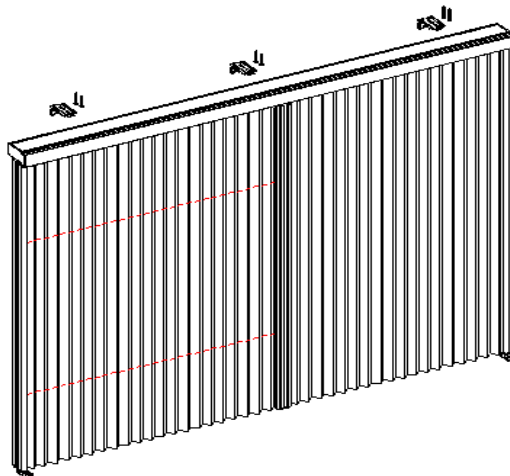
Patio Door Vertical Honeycomb: Butt together

- Side by side butt option
- Both shades must have the same order height
- Stacking configurations: left shade must be Left Stack, and right shade must be Right Stack
- Mount options:
 - Available in IM and OM
 - Note: Shades that will be butt together must be the same mount type
- “Thicker” magnet strips are included in the center of each side of the moving rails to avoid any light gaps

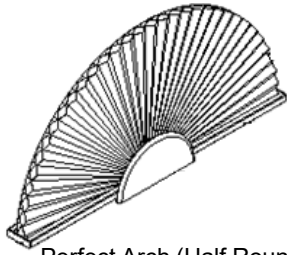


Patio Door Vertical Day & Night

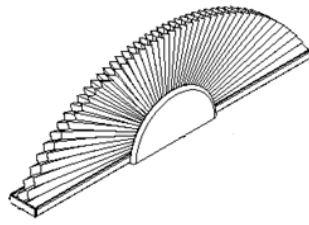
- Select a Sheer fabric on one side, and a Light-Filtering or Room Darkening fabric on the other side
- Stacking Configuration: Center Opening only
 - Left shade and right shade stack side by side, butt together
- Available in 3/4" Single and 1 1/4" Single cell sizes
- Sheer fabric is the default on the left shade. Optional on the right shade



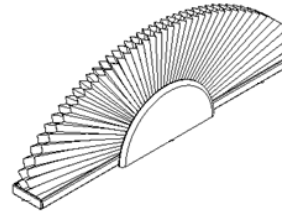
Lift Systems - Specialty Shapes



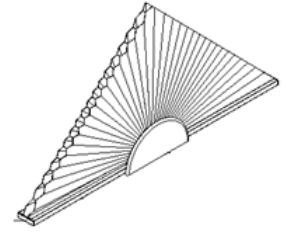
Perfect Arch (Half Round)



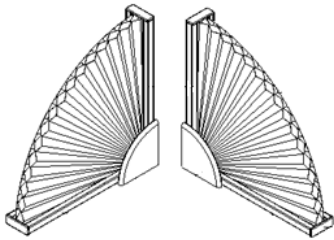
Eyebrow



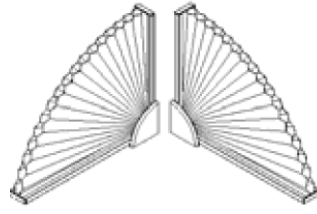
Elongated Eyebrow



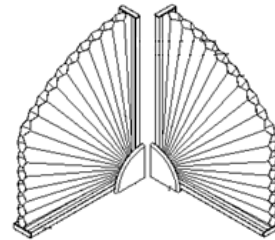
Triangle



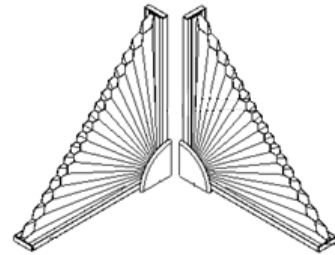
Quarter Round Left & Right



Half Eyebrow Left & Right



Arch on Top Left & Right



Angle Top Left & Right

Honeycomb Specialty Shapes are only available in the above 8 shapes. We do not accept templates.

All specialty shapes are:

- IB only
- non-operable shades

Size Limitations

1. Perfect Arches: height must be half of the width

2. Eyebrows:

Both leg heights must be equal

- Shade height must be less than half of the shade width

3. Elongated eyebrows:

- Both leg heights must be equal
- Minimum leg height: 1"; but less than shade height
- The shade height minus leg height must be:
 - 5" or more
 - Less than or equal to half of the shade's width

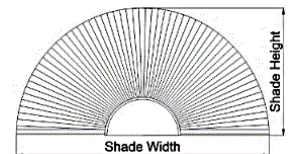
4. Quarter Rounds: width and height must be equal.

5. Arch on Top:

- Minimum leg height: 1", but less than shade height
- The shade height minus leg height must be:
 - 5" or more
 - Less than or equal to the shade's width

6. Angle Tops: Width and height do not need to meet a certain ratio; just needs to be within the size limitation.

7. Half Eyebrow: shade height must be less than shade width



Shade		Min Size	Max Size
Perfect Arch, Eyebrow, Elongated Eyebrow	Width	10"	96"
	Height	5"	48"
Quarter Round, Angle Top, Arch on Top, Half Eyebrow (L or R)	Width	5"	48"
	Height	5"	48"
Triangle	Width	10"	96"
	Height	5"	48"

*The above limitations are net sizes, not order sizes.



















Headrail Colors

Default rail colors are assigned by fabric color (refer to the color list or Appendix). Color override is available; select from a variety of the following rail colors, depending on the honeycomb system chosen:

- All 18 default/optional rail colors are available for most applications and sizes
 - 10 default/optional rail colors available for all 9/6" cell sizes (^)
 - 6 default/optional rail colors for Woven Cordless Cordless TDBU (^)
 - 3 default/optional rail colors for Patio Door Vertical, Vertical Day & Night and SmartFit for Sloped Windows (^)

Color Name Color Code

Color Name Color Code

		Agave	3715		Indigo	3716	^
^		Black Ink	3212		Nature	3579	^ ^ ^
^		Celery	3613		Plum Purple	3475	
^		Chocolate	3463		Sahara	3578	^
^ ^		Gray Cloud	3128		Sand	3582	
^		Cottage White	3094		Silver	3129	^ ^ ^
		Cream	3577		Sky	3722	
		Fern	3616		Terra	3334	^ ^
		Ginger Spice	3335		White	3058	^ ^ ^

*The rail color Cinnamon 3476 has been discontinued.



One Tone Fabrics

Honeycomb Shades typically come in a neutral colored, off-white back that provides a pleasant street-side appearance. You may optionally select a one-tone shade such that the back of the shade matches the color of the front. It's a great way to add both continuity and richness to your exterior color scheme.

- For Single shades only
- Not available in the following applications:
 - Woven Cordless
 - SmartFit™ Dual Shades
 - Day & Night
 - Vertical Patio Door
- Available in select fabrics and sizes:

Opacity	Color Code	Color Name	Cell Size	
			3/8"S	3/4"S
Light Filtering	C2002	Marshmallow		✓
Light Filtering	C2103	Dove	✓	✓
Light Filtering	C2105	Terra		✓
Light Filtering	C2106	Mica	✓	
Light Filtering	C2201	Jet Black	✓	✓
Light Filtering	C2202	Graphite	✓	
Room Darkening	C4105	Dusk	✓	

- C4101 Steel Gray (RD) has been discontinued



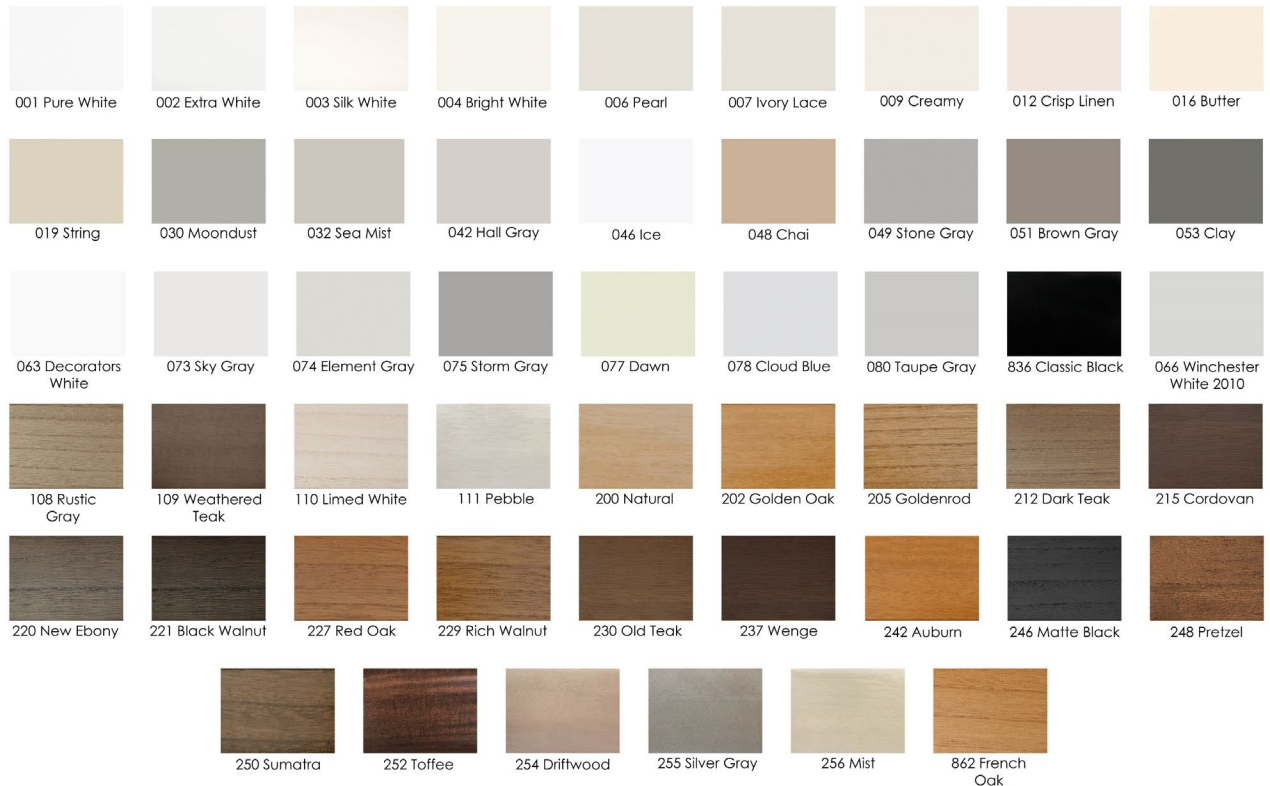
Frame Colors (SmartFit with Frame)

Frame Options

Frame: hard wood material

Color Availability: Normandy® Shutter collection – 51 colors

- **Painted colors:** Pure White, Extra White, Silk White, Bright White, Pearl, Ivory Lace, Creamy, Crisp Linen, Butter, String, Moondust, Sea Mist, Hall Gray, Ice, Chai, Stone Gray, Brown Gray, Clay, Decorators White, Sky Gray, Element Gray, Storm Gray, Dawn, Cloud Blue, Taupe Gray, Classic Black, Winchester White.
- **Stained colors:** Rustic Gray, Weathered Teak, Limed White, Pebble, Natural, Golden Oak, Goldenrod, Cordovan, Mahogany, New Ebony, Black Walnut, Red Oak, Rich Walnut, Old Teak, Wenge, Auburn, Matte Black, Pretzel, Sumatra, Toffee, Driftwood, Silver Gray, Mist, French Oak.



Estimated Fabric Stacking Heights

Disclaimer: The below figures are estimated fabric stacking heights, for reference. These are not guaranteed, exact measurements. Actual stacking height may vary for each shade.

System	Fabric	3/8" Single (")				9/16" Single (")				3/4" Single (")			
		48"	72"	84"	144"	48"	72"	84"	144"	48"	72"	84"	144"
Shade Drop		48"	72"	84"	144"	48"	72"	84"	144"	48"	72"	84"	144"
SmartRise™ Cordless	LF	3.55	4.44	4.88	NA	2.68	3.06	3.25	4.21	2.73	3.21	3.45	NA
	RD	3.45	4.29	4.71		2.59	2.92	3.09	3.94	2.68	3.14	3.37	
	FR	3.55	4.44	4.88		NA				2.78	3.28	3.54	
Cordless TDBU	LF	4.37	5.26	5.71	NA	3.74	4.13	4.32	5.27	3.56	4.04	4.28	NA
	RD	4.28	5.12	5.54		3.65	3.98	4.16	5.01	3.51	3.97	4.19	
	FR	4.37	5.26	5.71		NA				3.61	4.11	4.36	
Cordless Day & Night	Sheer & RD	5.6	7.16	7.94	NA	4.39	5.06	5.40	7.10	4.16	5	5.42	NA
	Sheer & LF	5.7	7.3	8.11		4.50	5.23	5.59	7.41	4.21	5.07	5.5	
Motorized Bottom Up, Cord Loop & SmartRelease™	LF	3.45	4.29	4.71	6.81	3.04	3.42	3.61	4.56	2.73	3.21	3.45	4.65
	RD	3.36	4.15	4.54	6.52	2.94	3.28	3.45	4.30	2.68	3.14	3.37	4.51
	FR	3.5	4.36	4.8	6.96	NA				2.78	3.28	3.54	4.8
Cord Loop D&N & Motorized D&N	Sheer & RD	5.65	7.05	7.74	11.30	4.28	4.94	5.28	6.98	4.26	4.94	5.27	6.95
	Sheer & LF	5.74	7.18	7.88	11.44	4.38	5.11	5.47	7.29	4.33	5.04	5.39	7.15
Cord Loop TD, Cordless TD, & Motorized TD	LF	4.35	5.13	5.51	7.44	3.63	4.01	4.20	5.15	3.56	3.92	4.09	4.98
	RD	4.26	5.00	5.38	7.30	3.54	3.87	4.04	4.89	3.49	3.82	3.98	4.78
	FR	4.07	4.70	5.02	6.57	NA				3.46	3.76	3.91	4.67
SmartFit™	LF	3.25	4.09	4.51	NA	2.64	3.02	3.21	4.17	2.77	3.25	3.49	NA
	RD	3.16	3.95	4.35		2.55	2.88	3.06	3.91	2.72	3.18	3.41	
	FR	3.3	4.17	4.6		NA				2.82	3.32	3.58	

Estimated Fabric Stacking Heights

Disclaimer: The below figures are estimated fabric stacking heights, for reference. These are not guaranteed, exact measurements. Actual stacking height may vary for each shade.

System	Fabric	1/2" Double (")				3/4" Double (")					1 1/4" Single (")				
		48"	72"	84"	144"	48"	72"	84"	120"	144"	48"	72"	84"	120"	144"
Shade Drop		48"	72"	84"	144"	48"	72"	84"	120"	144"	48"	72"	84"	120"	144"
SmartRise™ Cordless	LF	2.89	3.39	3.63	4.86	2.6	2.93	3.09	3.59		2.4	2.62	2.73	3.07	
	RD	2.8	3.25	3.47	4.59	2.54	2.83	2.98	3.23		2.35	2.55	2.65	2.8	
	FR	N/A													
Cordless TDBU	LF	3.83	4.34	4.58	5.81	3.2	3.52	3.68	N/A		2.99	3.21	3.32	N/A	
	RD	3.74	4.2	4.42	5.54	3.13	3.43	3.57	N/A		2.94	3.14	3.24	N/A	
	FR	N/A													
Cordless Day & Night	Sheer & RD	4.69	5.6	6.04	8.28	3.77	4.37	4.65	N/A		3.39	3.8	3.99	N/A	
	Sheer & LF	4.78	5.74	6.2	8.55	3.68	4.22	4.47	N/A		3.48	3.91	4.1	4.14	
Motorized Bottom Up, Cord Loop & SmartRelease™	LF	3.24	3.75	3.99	5.22	2.91	3.24	3.40	4.21	4.21	2.71	2.93	3.04	3.38	3.61
	RD	3.15	3.61	3.83	4.94	2.88	3.18	3.32	4.06	4.06	2.66	2.87	2.96	3.28	3.48
	FR	N/A													
Cord Loop D&N & Motorized D&N	Sheer & RD	4.69	5.6	6.04	8.28	3.96	4.46	4.70	5.47	5.96	3.74	4.15	4.34	4.97	5.38
	Sheer & LF	4.78	5.74	6.2	8.55	3.99	4.53	4.78	5.60	6.11	3.79	4.22	4.41	5.08	5.51
Cord Loop TD & Motorized TD	LF	3.83	4.34	4.58	5.81	3.51	3.83	3.99	4.49	4.80	3.30	3.52	3.63	3.97	4.20
	RD	3.74	4.2	4.42	5.54	3.47	3.77	3.91	4.37	4.65	3.25	3.46	3.55	3.87	4.07
	FR	N/A													
SmartFit™	LF	2.85	3.35	3.6	4.83	2.53	2.86	3.01	N/A		2.32	2.54	2.65	N/A	
	RD	2.76	3.21	3.43	4.55	2.46	2.76	2.9	N/A		2.27	2.48	2.57	N/A	
	FR	N/A													

Estimated Fabric Stacking Heights

Disclaimer: The below figures are estimated fabric stacking heights/widths, for reference. These are not guaranteed, exact measurements. Actual stacking height may vary for each shade.

System	Fabric	3/8" Single (")				9/16" Single	1/2" Double	3/4" Single	3/4" Double	1 1/4" Single
Shade Drop		48"	72"	84"	144"					
SmartFit™ for Sloped Windows	LF	3.29	4.07	4.45	N/A	N/A	N/A	N/A	N/A	N/A
	FR	3.01	3.64	3.95						
	RD	3.20	3.94	4.31						
SmartFit with Frame for Sloped Windows	LF	3.06	3.9	4.32	N/A	N/A	N/A	N/A	N/A	N/A
	FR	3.11	3.97	4.4						
	RD	2.96	3.75	4.15						

Patio Door Vertical Stacking Width (Stackback)

Cell Size	Left Stack/Right Stack/ Day & Night/Split Stack (Center Opening)		Traveling Center Stack			
	Shade Width (X1")	Stacking Width (")	Shade Width (X1")	Stacking Width (")		
3/4" Single	X1 ≤ 92	6 3/4	X1 ≤ 146	10 5/8		
	92 < X1 ≤ 102	7 3/8				
	102 < X1 ≤ 111	7 7/8				
	111 < X1 ≤ 121	8 1/2				
	121 < X1 ≤ 130	9				
	130 < X1 ≤ 140	9 1/2				
	140 < X1 ≤ 146	10				
1 1/4" Single	X1 ≤ 71	6 3/4	X1 ≤ 130	10 5/8		
	71 < X1 ≤ 78	7 3/8				
	78 < X1 ≤ 86	7 7/8				
	86 < X1 ≤ 93	8 1/2				
	93 < X1 ≤ 100	9				
	100 < X1 ≤ 108	9 1/2				
	108 < X1 ≤ 115	10				
	115 < X1 ≤ 123	10 5/8				
	123 < X1 ≤ 130	11 1/4				
	130 < X1 ≤ 138	11 3/4			130 < X1 ≤ 138	11 1/4
	138 < X1 ≤ 146	12 3/8			138 < X1 ≤ 146	11 3/4

* for D&N & Split Stack, the above stacking height is for one side only.

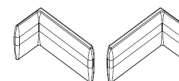
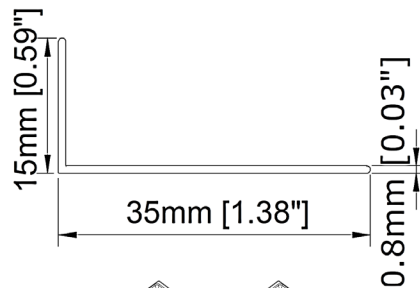
Additional Options

Light Guard

Available Colors:



3058 White 3094 Cottage White 3578 Sahara 3463 Chocolate 3129 Silver 3212 Black Ink



End Caps are pre-installed.

- Aluminum material; Inside Mount only
- Light guard is not available for Patio Door Vertical, Vertical Day & Night, Specialty Shapes, or 2 on 1 shades.
- **Alum Light Guard Splicing Rule:** When the light guard length (L) is over 96", it will be spliced into two pieces. A clear adhesive tape will be provided to join the two pieces. The splicing points are as follows:

96" < L ≤ 102"	L > 102"
From the top down at 6"	From the bottom up at 96"

Hold Down

Traditional Hold-Down (Optional)



Magnetic Hold-Down

- Available for OM only
- Not recommended for metal door applications
- The magnet will be attached at the factory before shipping.
- The magnet catch will need to be installed at the job site.

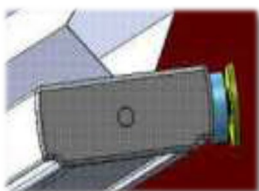
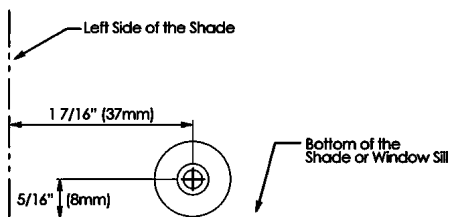
Available colors for Magnet Catch

- Nickel-Plated (Default)
- (Optional) Pure White, Silk White, Bisque, Pearl, Bright Brass, Antique Brass, Black, Crisp Linen, String, Sea Mist, Stone Gray, Brown Gray, Taupe Gray



Magnet

Magnet Catch



Allow for extra wall space:

- 1 7/16" from the side edge of the shade
- 5/16" from the bottom edge of the shade or window sill

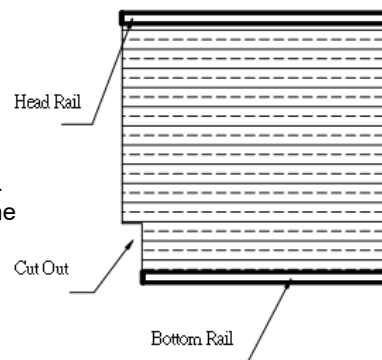
Lift Systems	Hold Down Availability
SmartRise™ Cordless	✓
Cordless TDBU	✓
Cordless Day & Night	✓
Cordless (Woven)	✓
Cordless TDBU (Woven)	✓
Cord Loop	✓
Cord Loop TD	✓
Cord Loop Day & Night	✓
SmartRelease™	✓
Motorized Systems	✓
SmartFit™	x--N/A
SmartFit™ Dual Shade	x--N/A
SmartFit™ for Sloped Windows	x--N/A
SmartFit™ with Frame	x--N/A
SmartFit™ Dual Shade with Frame	x--N/A
SmartFit with Frame for Sloped Windows	x--N/A
Patio Door Vertical, Day & Night	x--N/A
Specialty Shapes	x--N/A

Additional Options - Cut-outs

Systems	Shade Width (")	Min cut-out size	Max. cut out size	Min cut out size	Max. cut out size
		Width		Height	
Cordless	$X \leq 16$	N/A			
	$16 < X \leq 23.5$	1/8"	0.75"	7/8"	Y - 2"
	$X > 23.5$	1/8"	1"	7/8"	Y - 2"
Cord Loop / SmartRelease / Motorized Bottom Up	All sizes	1/8"	1"	7/8"	Y - 2"
Vertical	All sizes	For baseboards only. Cut-outs are made on the rails, not the fabric. The max. cut out on height is 6".			

Cut-outs for Horizontal Shades

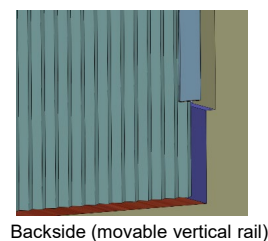
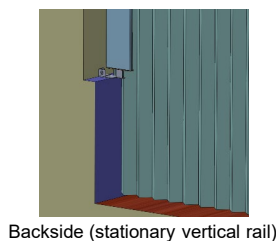
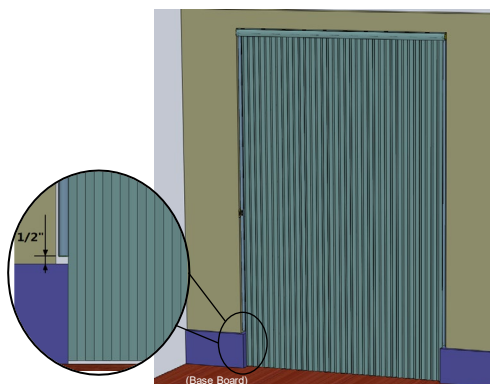
- Cut-outs will be made on the bottom rail and the bottom section of the fabric.
- Cut-out location options:
 - Bottom Corner (Left)
 - Bottom Corner (Right)
 - Bottom Corners (Both L & R)
- Please provide detailed information under "Special Instructions" when ordering.
- Cut-outs are made when the shade is fully extended. Measure upwards from the bottom of bottom rail up to the start of the cut-out.
- Not available in:
 - Woven fabrics
 - All SmartFit™ applications
 - TDBU applications
 - Day & Night applications
 - 2 on 1 Shades
 - Specialty Shapes





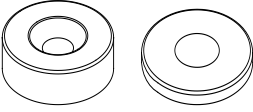
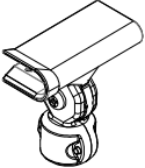

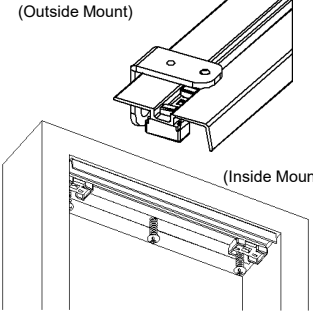
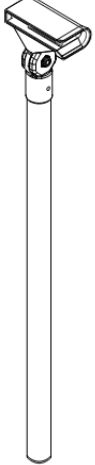
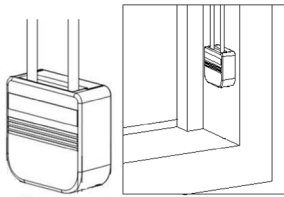
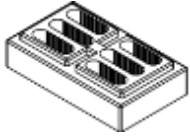
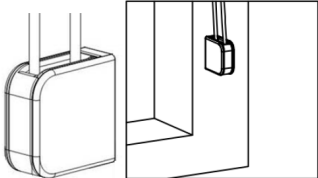
Cut-outs for Vertical Shades

- For patio door honeycomb shades, the cut-out is only on the rails and not the fabric. See chart →
- When specifying cut-outs, please provide the height of the baseboard.
- Max cut out height: 6"

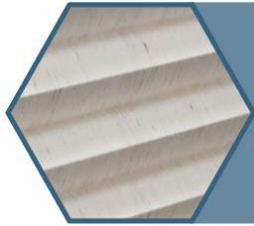
Stacking Configuration	Stationary vertical rail	Moveable vertical rail
Right Stack	✓	✓
Left Stack	✓	✓
Travelling Center Stack	✓	✓
Split Stack (Center Opening)	✓	✗
Vertical Day & Night	✓	✗



Parts & Accessories

Description	Drawing	Description	Drawing
<p>Hold-Down Bracket (optional)</p>		<p>Pole Attachment</p> <p>Color: White; when ordered separately. Comes in Black if ordered with poles.</p>	
<p>Magnetic Hold-Down (optional for OB)</p>		<p>(pole not included; compatible with telescopic poles sold at hardware stores)</p> <p>(max 2 per shade)</p>	 <p>New design; not compatible with previous rail/handle design</p>
<p>Mounting Plate</p> <p>3/8" S, 3/4" S, 9/16" S, 1/2" D Default: Yes; Optional: No</p> <p>3/4" D, 1 1/4" S Standard (required)</p>	 <p>(Outside Mount)</p>  <p>(Inside Mount)</p>	<p>Pole</p> <p>Sizes: 36" or 60" (max 2 per shade)</p> <p>Color: Black</p> <p><u>Movable pole head for</u> Cordless, Cordless TDBU, Cordless Day & Night, and Cordless & Cordless TDBU for Woven fabrics</p> <p><u>Stationary pole head for</u> SmartFit™, SmartFit™ Dual Shades and SmartFit™ for Sliped Windows</p>	 <p>New design; not compatible with previous rail/handle design</p>
<p>IM Cord Loop / SmartRelease™ Safety Tension Device</p>		<p>Shim/Spacer Block (optional & stackable)</p>	
<p>OM Cord Loop / SmartRelease™ Safety Tension Device</p>		<p>Not available for IB SmartFit, IB SmartFit Dual Shade, SmartFit for Sloped Windows and Specialty Shapes</p>	<p>3/8" thickness for one 11/16" thickness for two</p>

Fabric Expectations & Product Care



Honeycomb Shades

Fabric Expectations & Product Care

Honeycomb Shades come in a variety of fabrics, cell sizes and lift systems. Our honeycombs deliver on a number of desired effects of fine window treatments:

- Excellent insulating properties
- UV protection
- Softened views while enjoying privacy



But as with all fine window treatments there are certain inherent characteristics of our honeycombs that can be found in any fine textile shade in the market. Since we always strive to provide the highest quality window treatment solutions, we are communicating certain industry-wide fabric characteristics of our honeycomb shades.

ROOM DARKENING VERSUS BLACKOUT QUALITY

One of the appealing characteristics of a honeycomb shade is your ability to select from different opacity levels ranging from sheer to light filtering to room darkening to satisfy your desire for light control, privacy or both.

While our room darkening fabrics provide more privacy and light control qualities than our sheer and light filtering choices, they are not a total blackout solution.

Fabric Expectations & Product Care

FABRIC DISCLAIMERS: WOVEN SHADES

Our Windsong and Breeze fabrics utilize delicate fibers and a unique weaving process that give the fabric a soft and high-end look. The repeated rubbing of the fabric edge where it comes into contact with the edge of the window may cause the fabric to fray slightly. To remedy this, use a pair of fabric scissors to gently trim any fraying.



CLEANING HONEYCOMB SHADES

Routine cleaning will help maintain the beauty of your shade. Here are the proper methods for cleaning honeycomb shades:

Light dusting:

- Use a soft brush, feather duster or a compressed air/hair dryer at a cool setting
- Vacuum with a low suction using a hand-held vacuum or a brush attachment

Spot Cleaning:

- Dampen a clean cloth or sponge with warm water and blot gently to avoid creasing the shade (do not rub!)
- Add a mild detergent solution, if needed
- Allow shade to dry in a fully lowered position
- Headrails should never be immersed in liquid
- Do not use bleach or cleaning products that contain bleach.

Ultrasonic Cleaning:

- Honeycomb shades may be professionally ultrasonic cleaned



NORMAN®

SHUTTERS. BLINDS. SHADES.



ULTIMATE™

FAUX WOOD

Program Reference Guide
Available February 2022

■ Revision Log 

Date	Revision

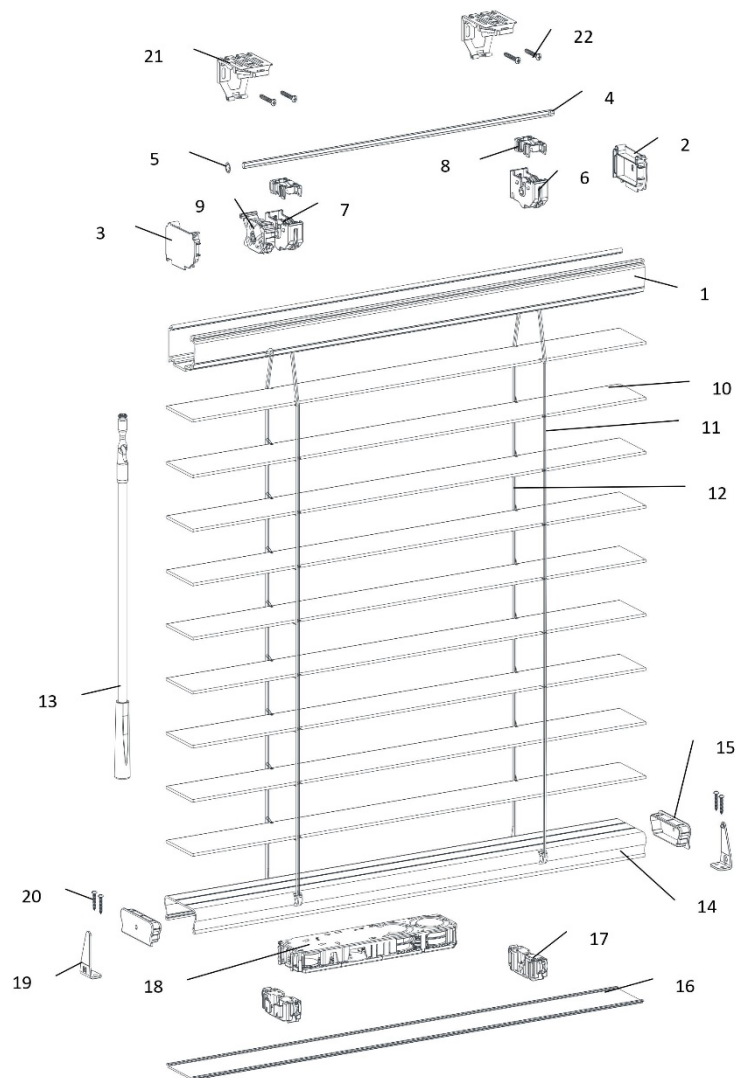


	Page
Terminology	4
Features and Benefits	5
General Specifications	6 – 7
Mounting Requirements	8
Options	9 – 10
Hardware	11
Operating Your Cordless Blind	12
Color Availability	13

Terminology

Ultimate™ Cordless Faux Wood Blind – 2 ½" Slat

Valance-free Headrail with Wand Tilt



Description					
1	PVC Headrail	8	Drum Cap	15	Bottom Rail End Cap
2	Headrail End Cap (Right)	9	Wand Tilter	16	Bottom Rail Cover
3	Headrail End Cap (Left)	10	Slat	17	Bottom Rail Drum Support
4	Tilt Rod	11	Ladder	18	Spring Box
5	Ring Stopper	12	Inner Cord	19	Hold Down Bracket
6	Headrail Drum Support	13	Wand	20	Hold Down Bracket Screw
7	Drum	14	Bottom Rail	21 & 22	Installation Bracket & Screw

Features & Benefits

Features

- Pivoting bottom rail helps block light beneath the blind
- Industry-leading closure and privacy with SmartPrivacy®
- Self-leveling technology virtually eliminates lopsided lifting
- “Best for Kids” cordless for safety and convenience
- Valance-free Poly Deco headrail with built in light block



Options

- 16 colors and finishes
- Optional Valances Designer Crown & Modern Curved
- Valance Keystones
- Optional Wand Sizes
- Control Locations — Left or Right
- Common Valance
- Cut-outs
- Side Mount



General Specifications

Size Considerations

Single Blind	Min	Max	Max SQFT
Width (Net)	6 ½"	96" 37" (Side Mount)	48 SQFT *
Height	16"	96"	24.6 SQFT (Side Mount)

- * The overall max blind size is limited by the maximum area; max width by max height cannot be ordered as one blind.
- Side Mount bracket is available for single blinds less than or equal to 37" in width.
- Blinds under 15" width have no lift function with tilting wand at the center

Standard Deductions

Inside Mount:

Blind Width = Ordered Width – 3/8" *

Blind Height = Ordered Height

Outside Mount:

Ordered Width = Blind Width

Ordered Height = Blind Height

Tolerance:

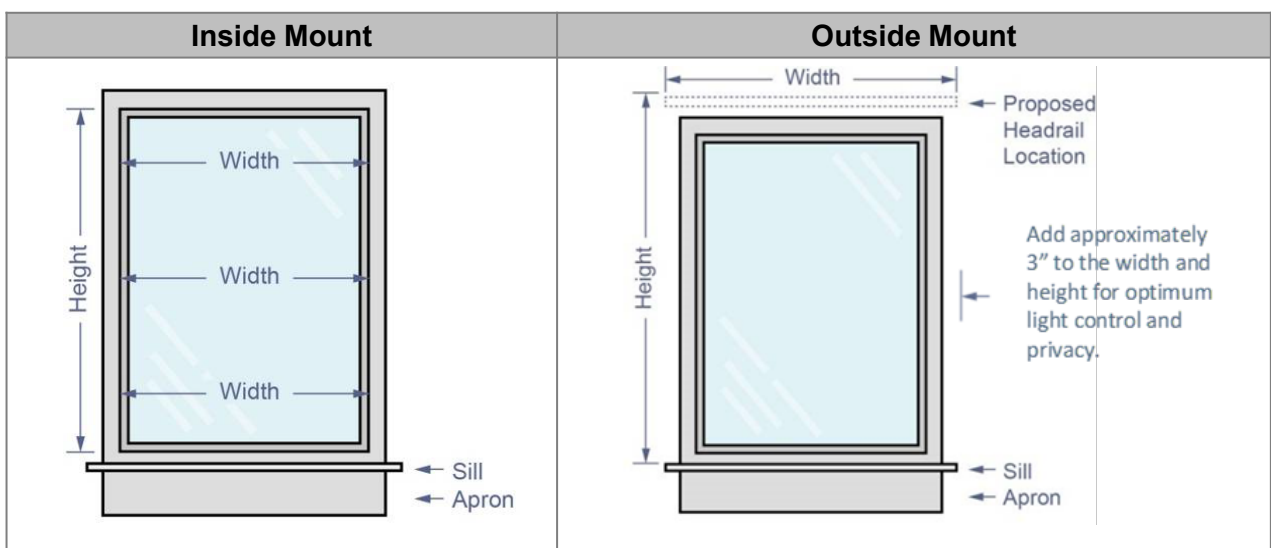
Blind Width may vary $\pm 1/8"$

Blind Height may vary $+0\sim 2\ 3/4"$

Measurements:

Blind width: Measure from the left end to the right end of the slat.

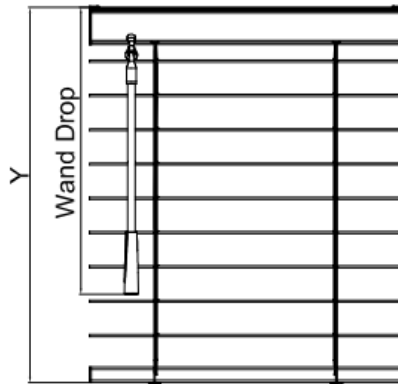
Blind height: Lower the blind completely, then measure from the top of the headrail to the bottom of the bottom rail with slats in an open position.



General Specifications

Wand Drop Standard

- **Wand Drop** is measured from the top of the headrail, to the bottom of the wand grip when slats are in a level opened position. Wand drop is not the height of the wand.



- Wand Control Location

Control Location		Blind Width (X)
Default for small blinds	Center	$6\frac{1}{2}'' \leq X < 15''$
Default	Left	$X \geq 15''$
Optional	Right	

- Wand Drop Sizes:

- **Standard** wand drop size is the default size for a blind at the given height; 4 sizes available.

Blind Width (X)	Blind Height (Y)	Standard Wand Drop Size	Tolerance
All	$Y \leq 36''$	11 $\frac{3}{4}''$	-1" ~ +1"
	$36'' < Y \leq 48''$	17 $\frac{3}{4}''$	
	$48'' < Y \leq 72''$	29 $\frac{3}{4}''$	
	$72'' < Y \leq 96''$	38 $\frac{1}{4}''$	

- **Optional** wand drops can be selected from the 6 sizes available

- 11 $\frac{3}{4}''$, 17 $\frac{3}{4}''$, 29 $\frac{3}{4}''$, 38 $\frac{1}{4}''$ & 47 $\frac{1}{4}''$, 60"
- The wands will be pieced accordingly:
 - 11 $\frac{3}{4}''$ & 17 $\frac{3}{4}''$, 29 $\frac{3}{4}''$ & 38 $\frac{1}{4}''$ wands will come as one piece
 - 47 $\frac{1}{4}''$ and 60" wands will come in a 2-piece design



- Common Valance Wands: For blinds under a common valance, both wands will be default to the standard size on the smallest blind.

Mounting Requirement

Minimum Depth Requirements and Valance Returns

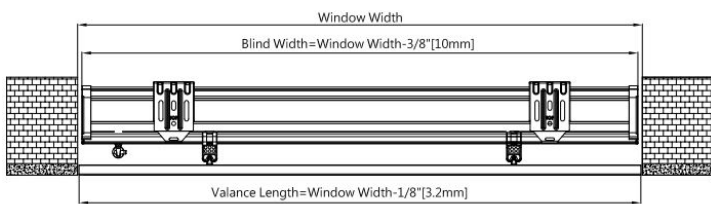
- Valance return locations: left only, right only or both left and right returns
- Standard or custom sizes available
 - Custom valance return size: minimum 1/2" and maximum 5"

Inside Mount

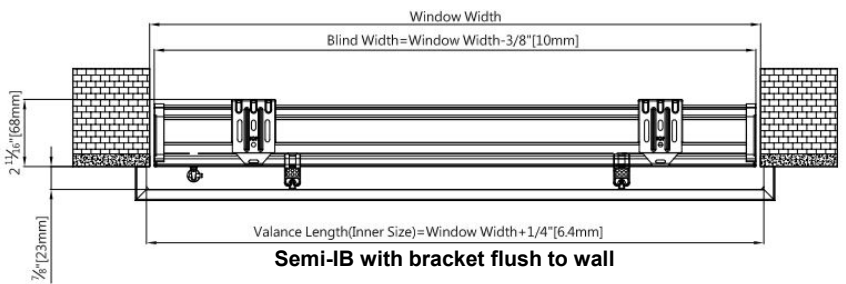
Blind/Valance Type	Fully Recessed IB	Semi-IB with bracket flush to wall	Semi-IB Minimum Mounting Depth
2 1/2" Blinds with No Valance	2 11/16"	N/A	1 5/8"
2 1/2" Blind with Modern Curved Valance	3 7/8"	2 11/16" *Valance return size: 7/8"	1 5/8" *Valance return size: 2"
2 1/2" Blind with Designer Crown Valance	4 1/16"	2 11/16" *Valance return size: 7/8"	1 5/8" *Valance return size: 2"

Outside Mount

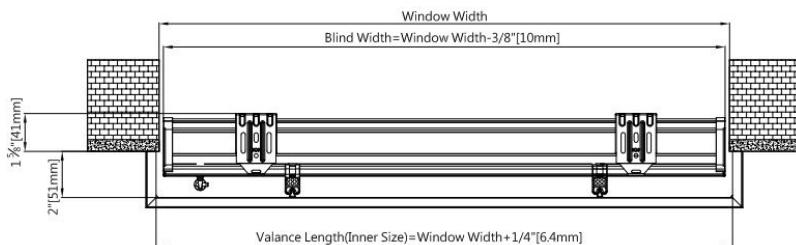
Blind/Valance Type	OB return size
2 1/2" Blinds with any valance	Valance return size: 3 9/16"



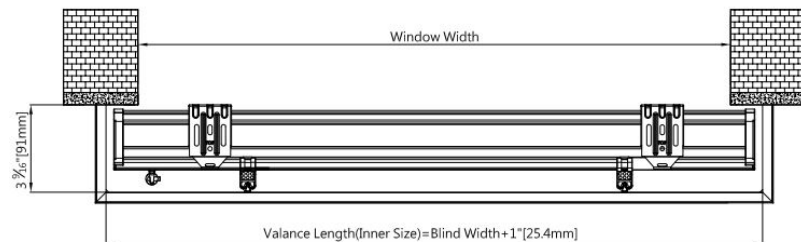
Fully IB with flush valance



Semi-IB with bracket flush to wall



Semi-IB with min mounting depth



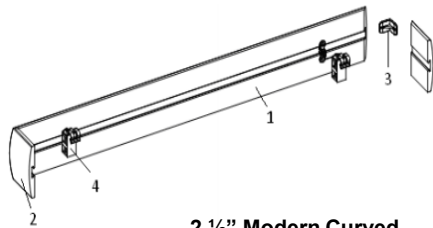
OB with Valance and returns

Options

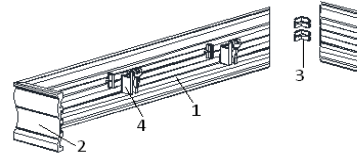
Valances

- Standard: No Valance
- Optional: 2 ½" Modern Curved & 3 ¼" Designer Crown Valance
- Size: Standard length or custom length (blind width + 5')
- Color availability: Valance color will match slat color.

	Description
1	Valance
2	Valance Return
3	Valance Return Joinery
4	Valance Clip



2 ½" Modern Curved

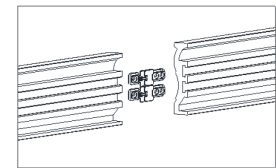


3 ¼" Designer Crown Valance

Valance Joinery

Valances will be spliced when the width exceeds **96"**; valance joinery is required for support on spliced valances or common valances; Valance connectors will be provided by default, keystones can be selected as an option.

- **Standard:** Valance Connector
 - Valance Connector splits will be made evenly along the valance; custom split location & At gaps between blinds is not available
- **Optional:** Keystone
 - Up to 3 keystones can be requested per valance/common valance
 - Select the keystone location based on an even split or custom split. At gaps between blinds is not available.
 - Keystones can also be requested onto non-spliced valances.



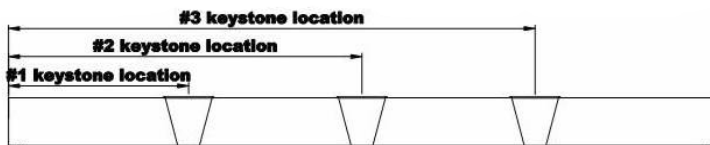
Valance Connector



Keystone

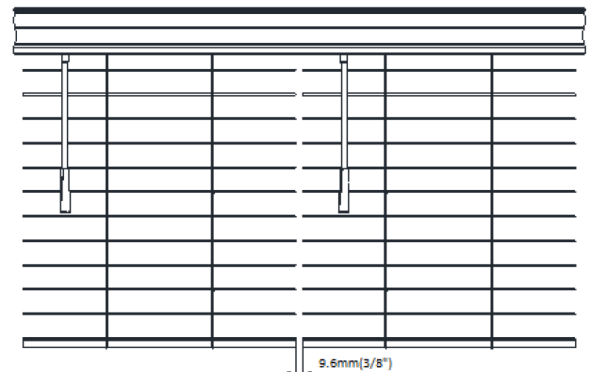
Keystone Spacing Requirements

- The minimum distance between keystones is 18".
- Measure from the left of the valance inner width to the center of the keystone.



Common Valance

- Not available with side mount brackets
- There is a min gap of 3/8" between each blind, but a gap of up to 12" can be requested.
- 3/8" width deductions will be taken from each blind
- Standard Common Valance sizes
 1. For IM without valance return, the standard common valance size = window opening size - 1/8"
 2. For IM with valance return, the standard common valance size = window opening size + 1/4"
 3. For OM with valance return, the standard common valance size = (each) blind width + 1" + gap width*(blind qty-1)



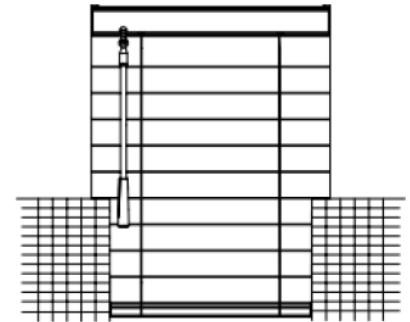
Please note that slats on common valance blinds may not align and that slat alignment is not guaranteed.

Options

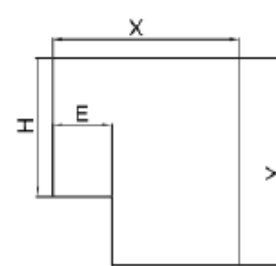
Cut-outs

A cut-out is an area of the blind that needs to be removed in order to avoid an existing obstruction.

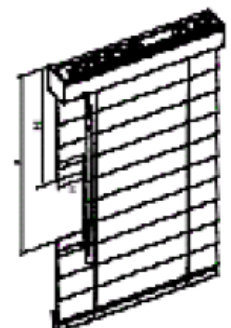
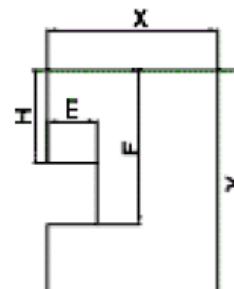
- Cut-outs are made on complete slats only. Partial slat cuts will not be made.
- Measurements are made when the slats are in a closed position
- Available for Single Blinds & Common Valance
 - Single blinds: available on left, right or both sides
 - Common valance blinds: cut-outs are only available on the left side of the left blind and the right side of the right blind. Cut-outs are not available on the center blinds.
- Select a cut-out type, location and indicate the required measurements. Only one cut-out type per side is available; Type A and Type B cannot be made on the same side of the blind.
 - **Corner Cut-out, Type A**
 - Cut-out width (E): Measuring from the edge of the blind/end cap to the end of the obstruction
 - Organic Height (H): Measuring from the top of the headrail to the top of the obstruction
 - **Middle Cut-out, Type B**
 - Cut-out width (E): Measuring from the edge of the blind/end cap to the end of the obstruction
 - Organic Height (H): Measuring from the top of the headrail to the top of the obstruction
 - Cut-out Height (F): Measuring from the top of the headrail to the end of the obstruction



Bottom Corner Cut-out		Blind Width (x)			
		X ≤ 8 7/8"	8 7/8" < X ≤ 26 5/8"	26 5/8" < X ≤ 39"	X > 39"
Cut-out width (E)	Min	1/8"	1/8"	1/8"	1/8"
	Max	1/2"	1 1/2"	3"	4 1/2"
Organic Height (H):	Min	1 1/2"			
	Max	Y - 2 3/4"			

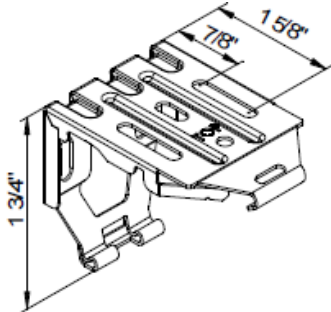


Middle Corner Cut-out		Blind Width (x)			
		X ≤ 8 7/8"	8 7/8" < X ≤ 26 5/8"	26 5/8" < X ≤ 39"	X > 39"
Cut-out width (E)	Min	1/8"	1/8"	1/8"	1/8"
	Max	1/2"	1 1/2"	3"	4 1/2"
Organic Height (H):	Min	1 1/2"			
	Max	F - 2 1/4"			
Cut-out Height (F):	Min	4"			
	Max	Y - 3"			



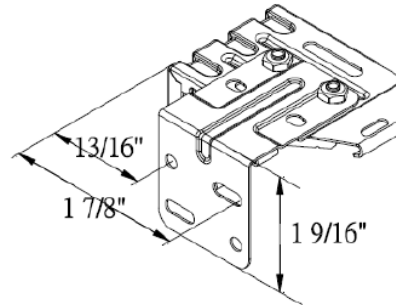
Hardware

Installation Bracket



Side Mount Installation (IM only)

Includes installation bracket, plus side mount supporting bracket.



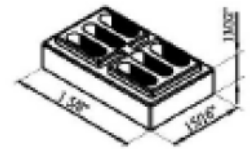
Hold Down Bracket

Optional for all blind widths



Spacer (OM only)

Offers a 3/8" extension outwards from the wall. Two spacers can be stacked to allow for a 11/16" extension.



Hardware

Blind Width (Net)	Installation Bracket qty
$X \leq 37"$	2
$37" < X \leq 47"$	3
$47" < X \leq 75"$	4
$75" < X \leq 96"$	5

Screws	Quantity
1 1/4" Screw	Installation bracket qty x 2
2" Screw (with spacer)	Installation bracket qty x 2
3/4" Screw	Hold down bracket qty x 2
M4 Nut & Bolt	4 (for Side Mount only)

Optional Valances	Valance Return Connector qty
2 1/2" Modern Curved Valance	2
3 1/4" Designer Crown Valance	4

Blind Width Net (X) / Custom Valance Length (L)	Valance Clip qty
$X \leq 37"$; $L \leq 37"$	2
$37" < X < 60"$; $37" < L < 60"$	3
$60" \leq X \leq 96"$; $60" \leq L \leq 96"$	4
$L > 96"$	5~15 <i>{fx (L-14)/24+1}</i>

Optional Hold Down Bracket Qty	#6x3/4" Screw Qty
2	4

Ladder Cord Count

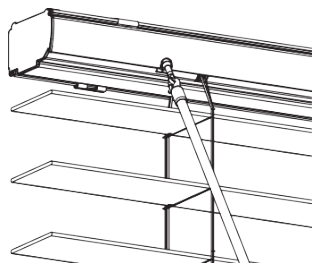
Blind Width (Net)	# of Ladders	# of Inner Cords
$X \leq 24"$	2	4
$24" < X \leq 37"$	3	4
$37" < X \leq 50"$	4	4
$50" < X \leq 63"$	5	8
$63" < X \leq 76"$	6	8
$76" < X \leq 89"$	7	8
$89" < X \leq 96"$	8	8

Note: Number of ladders may vary if the blind order is close to the maximum width of that range.

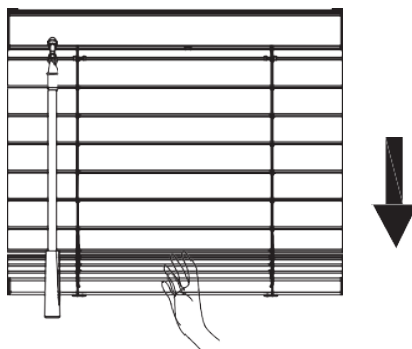


Operating Your Cordless Blind

Tilting Wand: Rotate the wand to achieve the desired slat position.

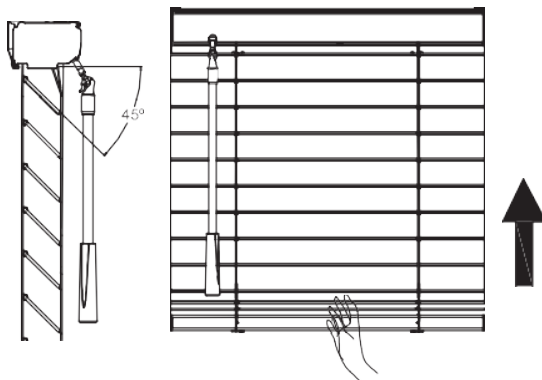


To lower the blind: Pull the blind down by hand from the bottom rail. Slats can be in an opened or closed position when lowering the blind.



To raise the blind: Lift by hand with slats in an open position, If slats are closed, gently tilt the slats to a 45 degree angle towards you before lifting the bottom rail.

⚠ **Do not lift the blind when the slats are in a closed up or closed down position. Cordless blinds can be lifted in this semi-open position, or in an open, parallel position.*



Ultimate™ Cordless Faux Wood Blinds

Color Availability

No.	Color Code	Color Name	Color Type	Finish	2 ½" Slat
1	P001	Pure White	Solid	Smooth	✓
2	P001	Pure White	Solid	Embossed	✓
3	E008	Designer White	Solid	Smooth	✓
4	E008	Designer White	Solid	Embossed	✓
5	P003	Silk White	Solid	Smooth	✓
6	P003	Silk White	Solid	Embossed	✓
7	P004	Bright White	Solid	Smooth	✓
8	P004	Bright White	Solid	Embossed	✓
9	P006	Pearl	Solid	Smooth	✓
10	P006	Pearl	Solid	Embossed	✓
11	P075	Storm Gray	Solid	Embossed	✓
12	P075	Storm Gray	Solid	Smooth	✓
13	6957	Mist	Printed	Embossed	✓
14	P230	Old Teak	Printed	Embossed	✓
15	6959	Granite	Printed	Embossed	✓
16	P226	Chestnut	Printed	Embossed	✓

